



STEEL DECK FRAMING INSTALLATION GUIDE





NEW CASTLE STEEL®

- Triple-coated steel offers consistency, durability and reliability that other materials cannot
- Rot- and termite-proof steel lasts much longer than wood
- Precision engineering ensures surfaces remain flat over time
- Contains a minimum of 25% recycled steel, which contributes toward LEED points
- Backed by the New Castle Steel 25-Year Limited Residential Warranty



STEEL DECK FRAMING INSTALLATION GUIDE

In your hands, you hold everything you need to begin building with the New Castle Steel® (NCS) deck framing system. This step-by-step guide will show you how to create a beautiful outdoor living space that fits perfectly into your or your client's lifestyle.

New Castle Steel has been proven in the field. With over twenty years of unparalleled performance, it offers warm, natural beauty and inviting comfort that no other product can match. Maybe that's why New Castle Steel is asked for by more customers than any other brand in the business.



From time to time, New Castle Steel revises its installation instructions. To ensure you have the most up-to-date installation instructions, please visit newcastlesteel.com.

CONTENTS

SECTION ONE: General Information

General Questions and Answers	5
Safety	6
Tools, Fasteners, and Brackets	6
Parts	7

SECTION TWO: Preparation and Planning

Planning.....	9
Code Compliance.....	9
Table E-50 Span Chart (Total Load 50 PSF).....	12
Table E-75 Span Chart (Total Load 75 PSF).....	14
Table E-100 Span Chart (Total Load 100 PSF).....	16
Table E-125 Span Chart (Total Load 125 PSF).....	18
Table E-150 Span Chart (Total Load 150 PSF).....	20
Table E-200 Span Chart (Total Load 200 PSF).....	22

SECTION THREE: Installation

Installing Piers, Posts, Track/Ledger, and Beams	25
Installing Piers and Posts	26
Installing Track/Ledger	26
Installing Beams	28
Option 1: Flush Beam Scenario	28
Option 2: Drop Beam Scenario.....	29
Installing Rim Joists, Joists, Rim Plates, and Joist Blocking	30
Installing Rim Joists Assembly	30
Installing Inner Joists	30
Option 1: Flush Beam Scenario	31
Option 2: Drop Beam Scenario.....	31
Installing Rim Plate and Joist Blocking (Drop Beam Scenario Only).....	31
Installing Blocking	31
Installing Rail Posts	32
How to Install Deck Boards.....	32
Tips on Installing Deck Boards over Screws on Ledger/Front Plate	32
How to Install Stairs.....	33
How to Install Deck Boards and Fascia on Stairs	35

SECTION FOUR: Detail Drawings

General Framing Detail – Nominal.....	39
TYP. Ledger Connections	40
Flush Beam Attachment Scenario.....	42
Dropped Box Beam Attachment Scenario.....	42
Joist Attachment – Sharing Flush Beam Scenario.....	43
Inside Rail Post Attachment at Rim Joist.....	44
Inside Rail Post Attachment at Corner.....	45
Inside Rail Post Attachment at Rim Plate.....	46
Stair Overview Diagram.....	47
Stair Support Posts	48
Stair Stringer Assembly.....	49
Stair Center Stringer Assembly.....	50
Stair Railing Post Attachment.....	51
Adjustable Blocking	52
Border Plank Framing.....	53
Breaker Board Framing TYP. Single Break.....	54
Breaker Board Framing TYP. Double Break	55
General Framing Detail – Curved Front Track Rim Plate	56
Joist Splice Over Dropped Beam	57
General Framing Detail – Joist Perforations	58
Deck Framing Detail (Grounding)	59
General Framing Detail – Trex Rain Escapes® Blocking Atop BM	60
Beam Configurations.....	61
Maintenance	63
Notes	64
Warranty	66

NOTE: Construction methods are always improving. Please ensure you have the most up-to-date installation instructions by visiting newcastlesteel.com.

 This symbol indicates page information continues to next page.

GENERAL QUESTIONS AND ANSWERS

Why New Castle Steel?

- » **Strong** – Our steel provides for a larger deck space with fewer posts and beams for less obstructed views.
- » **Stable** – NCS won't twist, warp, or sag over time.
- » **Long-lasting** – NCS lasts longer than pressure-treated lumber, saving you the cost of fixing or replacing your deck.
- » **Non-combustible** – NCS has achieved a Class A fire rating for our products, which is ideal for areas of high-density housing and frequent wildfires.
- » **Eco-friendly** – NCS contains 25% recycled American-made steel and is 100% recyclable.

How easy is New Castle Steel to build with?

- NCS lays out quickly and easily. There are only three components: (1) NCS Track (Ledger), (2) NCS Joist, and (3) NCS Beam
- » Each piece can be cut to fit and assembled just like wood.
 - » Features premium 12' (3.66 m), 16' (4.88 m), and 20' (6.1 m) lengths for track, ledger, and joist.
 - » NCS is assembled using hex head self-drilling screws and common angle brackets.
 - » NCS requires fewer tools (a circular saw, drill, and ferrous metal blades) than to typical wood framing.

What tools are required?

Go to page 6 for a complete description of the tools, hardware, and connectors required for installing a NCS deck frame.

Are there color choices in New Castle Steel?

NCS deck framing is available in **ONE** unique color designed to provide a pleasing and subtle shadow effect under the deck, drawing visual attention to the detailed elements of your deck.

What type of maintenance is required with New Castle Steel?

NCS is low maintenance when installed properly. The dual-coated finish protects the steel, insulating it from outdoor elements.

When the steel in New Castle Steel is exposed, in the case of an end cut or scratch, does it need to be painted?

Yes. Each steel component is galvanized and coated with a specially formulated exterior finish that is primed, painted, and baked on—exclusively engineered for the durability of NCS.

- » If scratched and not painted, the galvanization process will restrict rust. Rust will be electro-magnetically restricted to only the area exposed. As a preventative, as well as an aesthetic measure, always paint exposed steel with NCS touch-up paint.

Helpful Hint: Do this after you have cut many components to speed up the process.

Can scrap New Castle Steel cut-offs be recycled?

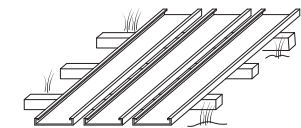
NCS components contain a minimum of 25% recycled steel and cut-offs are 100% recyclable.

Can New Castle Steel be used in high-fire danger areas?

NCS framing has achieved a Class A fire rating for our products. NCS components are non-combustible and qualify for extreme wildfire building codes under the Wild Land Urban Interface (WUI) building material requirements.

What is the proper method to store New Castle Steel?

NCS should be supported at a sufficient height to avoid full ground contact if at all possible. Heat and cold transfer to any steel product can sometimes damage lawn and vegetation.

**Can New Castle Steel components come into contact with soil or concrete when installed?**

NCS is approved for contact with both soil and concrete.

What fasteners can I use to attach decking to New Castle Steel framing?

Only use NCS-approved fasteners when installing any decking product. Use of non-recommended decking fasteners could void the warranty. Refer to *NCS Required Fasteners* on page 6 for details.

⚠ WARNING

Due to increased risk of corrosion, New Castle Steel may not be installed (1) within 3000 ft. (914.4 m) of any body of salt water or (2) under the surface or within the splash zone of any body of fresh water. *Any such installations shall void the New Castle Steel Limited Warranty.*

NOTE: Grounding New Castle Steel – When required by local code officials, properly ground New Castle Steel. Refer to page 59 for more details.

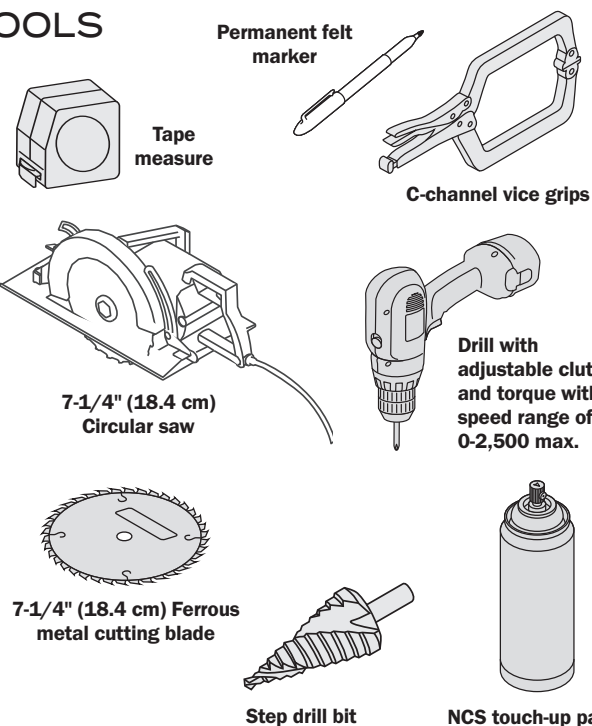
SAFETY

WARNING

When working on any construction project, you should wear protective clothing and safety equipment. Wear face shield, hearing protection, gloves, and long sleeves, particularly when cutting in confined spaces.

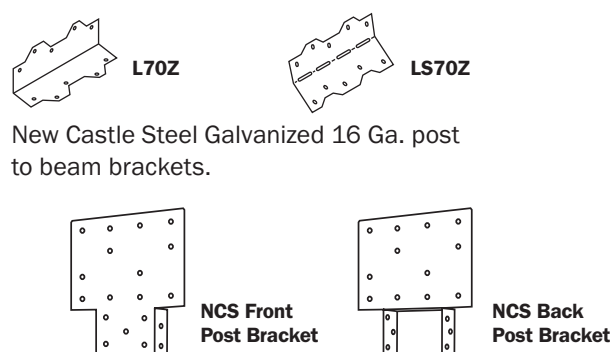


TOOLS

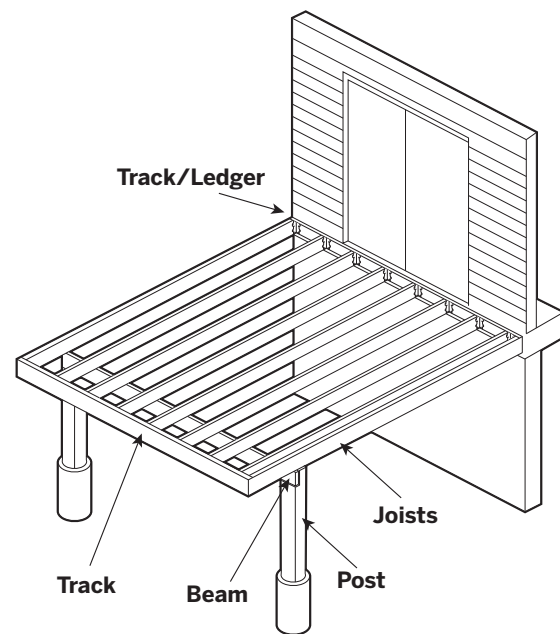


FASTENERS AND BRACKETS

- » Dual Hardness Self-Drilling Steel Framing Screw – refer to New Castle Steel Required Fasteners, column A (shown below).
- » Galvanized 16 Ga. “L” bracket (Simpson Strong-Tie® L70Z, LS70Z or IBC approved equivalent).



NOTE: For post to pier connections, refer to local building code official for proper installation methods.



NEW CASTLE STEEL™ REQUIRED FASTENERS		
Column A	Column B	Column C
Metal-to-Metal	Decking to Metal – Face Attachment	Decking to Metal – Hidden Fasteners
Simpson Strong-Tie® XEQ34B1016	FastenMaster® Cortex Driller™*	Trex Elevations® Universal Hidden Fasteners
ITW Buildex Teks Select™ P/N 1076000 (10-16 x 3/4" [1.9 cm] HWH Teks 3)	Starborn® DeckFast® Metal 410 SS w/ Epoxy Coating	Camo Wedge Metal
	Simpson Strong-Tie® Quik Drive DCSD238 (xxxx) *xxxx denotes color code of product	

NEW CASTLE STEEL PRODUCT WEIGHTS				
Profile	lb/ft	lbs/piece		
		12'	16'	20'
Joist - 15/8"	1.81	21.6	28.8	36.0
Joist - 2"	3.37	40.44	53.92	67.4
Track	2.43	28.8	38.4	48.0
Beam	5.80	69.6	92.8	116.0
Post	9.6	----	----	----

* After installing FastenMaster® Cortex Driller™ screws, gently tap Cortex plugs into place to cover screws.

FastenMaster® Cortex Driller™ is a registered trademark of OMG, Inc. DeckFast® is a registered trademark of Starborn Industries, Inc. Teks Select™ are trademarks of ITW Buildex and Illinois Tool Works, Inc.

Simpson Strong-Tie® is a registered trademark of Simpson Strong-Tie Company, Inc. Refer to www.strongtie.com for important installation and corrosion information.

PARTS

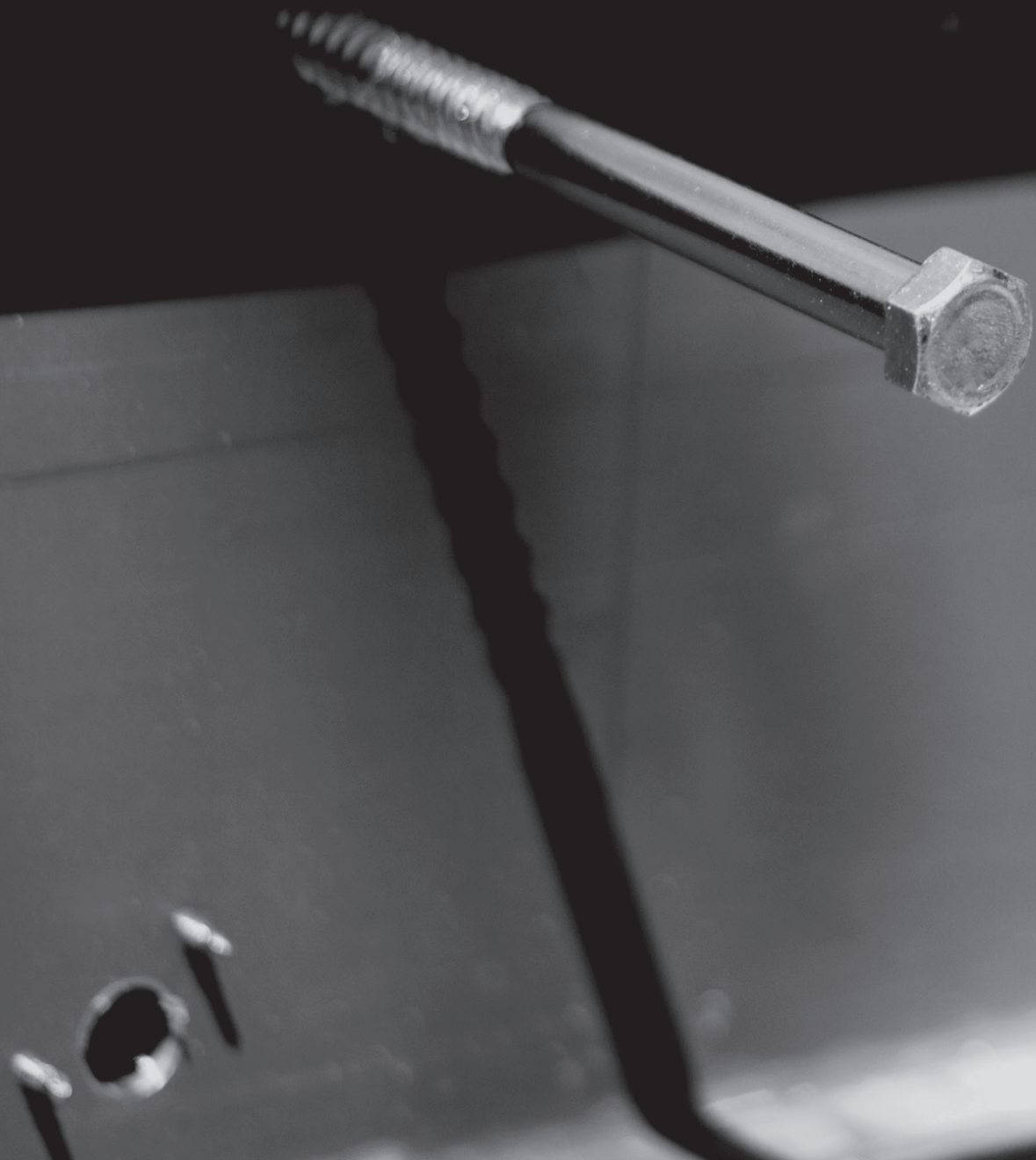
	Item Number	Product Description	Unit qty
	NCS202204	NCS 1 5/8" X 8" X 12' Joist 18 gauge	100
	NCS202205	NCS 1 5/8" X 8" X 16' Joist 18 gauge	100
	NCS202206	NCS 1 5/8" X 8" X 20' Joist 18 gauge	100
	NCS202207	NCS 2" X 8" X 12' Joist 14 gauge	50
	NCS202208	NCS 2" X 8" X 16' Joist 14 gauge	50
	NCS202209	NCS 2" X 8" X 20' Joist 14 gauge	50
	NCS202201	NCS 1 1/4" X 8" X 12' Track 14 gauge	80
	NCS202202	NCS 1 1/4" X 8" X 16' Track 14 gauge	80
	NCS202203	NCS 1 1/4" X 8" X 20' Track 14 gauge	80
	NCS202213	NCS Midspan Blocking	10
	NCS202214	NCS Beam Blocking	10
	NCS202216	NCS Beam Endcap	40
	NCS202235	Double Beam Endcap	20
	NCS202217	NCS Touchup Paint	12
	NCS202218	Simpson XEQ #1016x3/4" Framing screw	1000
	NCS202219	Simpson L70Z	50
	NCS202220	Simpson LS70Z	25
	NCS202221	Simpson MSTA22 Stair Strap	100
	NCS202222	Simpson HUCQ4.5 DBL beam hanger	10
	NCS202223	Simpson HUCQ2.25 SGL beam hanger	10
	NCS202224	CAMO Wedge Metal Clips 250sqft	450ct
	NCS202228	Front Post Bracket	10
	NCS202229	Back Post Bracket	10
	NCS202231	Post Base	2
	NCS202232	Post Cap	20
	NCS202233	Helical Post Base	4
	NCS202234	6 x 6 x 10 Post	18

INQUIRE ABOUT:

(Joist 14 and 18 gauge) Special run for joist over 20'
(Track 14 gauge) Special run for track over 20'

For order inquiries or questions, please email inquiry@ncsteel.com or call 1-888-960-0808.

PREPARATION AND PLANNING



PLANNING

⚠ WARNING

New Castle Steel does not provide direction on making all types of connections. Specific details for critical connections not shown should be designed by a professional engineer and/or building code official.

⚠ WARNING

Build according to local building codes. Refer to section R505 of the 2012, 2015 IRC, 2018 IRC and 2021 IRC for more information.

⚠ WARNING

Reference all decking, railing, and deck accessory manufacturers for required attachment and installation procedures regarding their products.

⚠ WARNING

The consumer or contractor should take all necessary steps to ensure the safety of everyone involved in the project, including, but not limited to: wearing the appropriate safety equipment (i.e. eye, ear, and body protection).

⚠ WARNING

Due to increased risk of corrosion, New Castle Steel may not be installed (1) within 3000 ft. (914.4 m) of any body of salt water or (2) under the surface or within the splash zone of any body of fresh water. Any such installations shall void the New Castle Steel Limited Warranty.

To build a deck with New Castle Steel components, it is necessary to determine the adequate joist span and beam span of your deck from the illustrations shown on page 11. It is also necessary to determine if a cantilever (i.e. overhang) is desired (or required) to attain the desired deck depth. Determine whether a drop beam or flush beam scenario will be used and determine the required information for local building plan approval.

Choose the New Castle Steel span chart (refer to pages 12-23) that fits within the building code requirements by locating the live, dead, and total load in the Uniform Deck Loads chart. If you do not know the local code requirements, contact your local building code department for assistance.

NEW CASTLE STEEL™ CODE COMPLIANCE



Control No. 5023486

CODE COMPLIANCE CCRR-0449
CERTIFIED TO: AISI S100-16-W/S3/22

Refer to the Intertek Directory of Building Products (<https://bpdirectory.intertek.com>) for detailed information.



CODE COMPLIANCE ICC-ES
Evaluation Report - ESR-5257

Max span before drop beam required (ft.)

Deck Load (psf)	1 5/8" Joist 12" Joist Spacing	1 5/8" Joist 16" Joist Spacing	2" Joist 12" Joist Spacing	2" Joist 16" Joist Spacing
50	30.4	22.8	44.0	33.0
75	20.3	15.2	29.3	22.0
100	15.2	11.4	22.0	16.5
150	10.1	7.6	14.7	11.0
200	7.6	5.7	11.0	8.3

PLANNING/CONTINUED

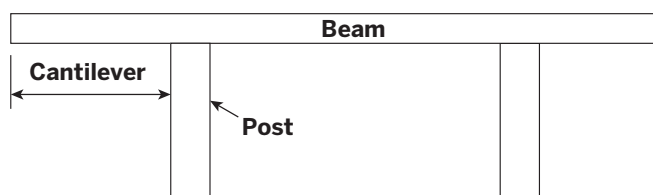
Parts of a Deck

Please refer to illustrations on page 11.

- A. **Joist Spacing:** Refer to the decking manufacturers instructions to determine allowable joist spacing (i.e. 12" [30.5 cm] or 16" [40.6 cm] O.C.). Even if 16" (40.6 cm) spacing is acceptable, 12" (30.5 cm) spacing could be chosen to achieve a greater joist span.
- B. **Maximum Joist Span:** The maximum distance the joist can span from track to support beam or support beam to support beam when joists are spaced on either 12" (30.5 cm) or 16" (40.6 cm).
- C. **Overall Length:** The overall desired depth (feet) of the deck cannot exceed the distance determined in step (B) without a support beam & cantilever (D).
- D. **Cantilever:** The overhanging of joists beyond the support beam and/or beams overhanging beyond the support post. If the desired depth of the deck is greater than the maximum joist span (B) a cantilever (D) is needed to obtain the overall size of the deck. The cantilever can be changed according to customer preference as long as it is less than the maximum cantilever noted on the New Castle Steel™ span charts.
- E. **Beam Span (distance between support posts):** The distance between support posts. Based on the joist span (B) and the cantilever (D), determine the maximum beam span (E) between support posts (F).
- F. **Support Posts:** Based on the maximum beam span (E) determine the number of support posts (F) by dividing the desired width of the deck by the beam span (E), round this number up and add 1.

Deck depth _____ - maximum joist span (B) _____ = cantilever (D) _____

Desired deck width _____ / beam span (E) _____ = support posts (rounded up) + 1 = total # of posts.



Example: Desired deck is 16' D (4.88 m)x 20' W (6.1 m)

1. Local building code requires a minimum dead load of 10 psf, live load of 40 psf, and total load of 50 psf. Refer to Table E-50 on page 12.
2. The decking manufacturer requires a maximum 16" (40.6 cm) O.C. spacing for joists.
3. Joist span cannot exceed 13' (3.96 m).
4. Desired deck size is 16' D (4.88 m) x 20' W (6.1 m).
5. A minimum cantilever of 3' (.91 m) is required because the overall depth (16' [4.88 m]) is greater than 13' (3.96 m).
 - Based on the above information, the cantilever can be between 3' (.91 m) and 4' (1.22 m) depending on customer preference. For this example, a 3' (.91 m) cantilever will be used.
 - **16' (4.88 m) depth of deck - 3' (.91 m) cantilever = 13' (3.96 m) joist span**
6. Locate the 13' (3.96 m) joist span and 3' (.91 m) cantilever and trace over to 11' 5" (3.48 m) beam span.

20' (6.1 m) deck width/11' 5" (346.8 cm) max. beam span = 1.73 support posts

- 1.73 rounds up to 2
- 2 + 1 = 3 support posts (spaced equally or as desired so as not to exceed 11' 5" [3.48 m])

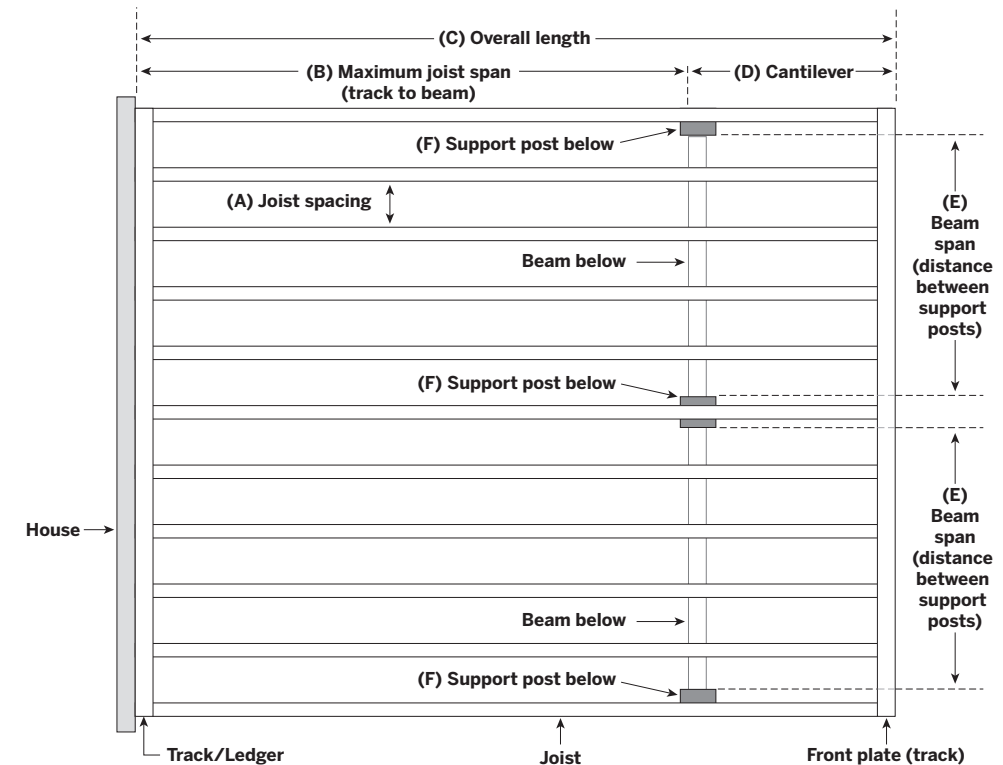
MAXIMUM ALLOWABLE BOX BEAM CANTILEVER				
	SBB	Stiffeners	DBB	Stiffeners
E-50	2' - 8" (81.3 cm)	1	3' - 11" (119.4 cm)	0
E-75	2' - 7" (78.7 cm)	1	3' - 9" (114.3 cm)	0
E-100	2' - 6" (76.2 cm)	1	3' - 7" (109.2 cm)	0
E-125	2' - 5" (73.7 cm)	1	3' - 7" (109.2 cm)	0
E-150	2' - 5" (73.7 cm)	1	3' - 7" (109.2 cm)	0
E-200	2' - 5" (73.7 cm)	1	3' - 6" (106.7 cm)	0
MAX.	2' - 5" (73.7 cm)	1	3' - 6" (106.7 cm)	0

SBB = Single Box Beam DBB = Double Box Beam

Stiffeners = Full depth web stiffeners, at least 0.067" (0.2 cm) thick, must be through-fastened to the box beam web at each post to develop the full web crippling capacity.

PLANNING/CONTINUED

Single Beam



Double Beam

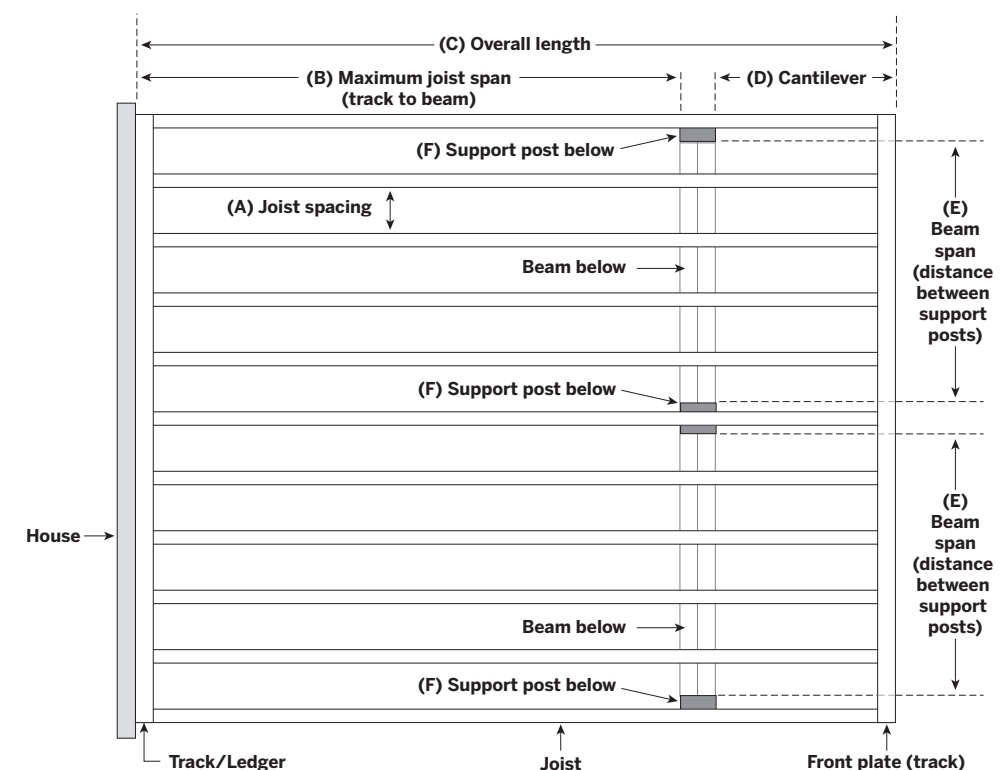


Table Instructions: Enter the table with a joist span and cantilever length within the joist span limits based on the joist option, then read the maximum allowable box beam span.

Joist option	JOIST SPAN LIMITS					
	1 5/8"		1 5/8", every other joist doubled		2", every other joist doubled	
Joist Spacing O.C.	12"	16"	12"	16"	12"	16"
Maximum Joist Span (Ledger To Box Beam)	15'	13'	17'	15'	18'	20'
Maximum Cantilever Length	4'	4'	6'	5'	6'	6'

MAXIMUM BOX BEAM SPAN (SINGLE BOX BEAM BETWEEN POSTS)

CANTILEVER LENGTH (FEET)	JOIST SPAN (LEDGER TO BOX BEAM) (FEET)																			
	3'-0"	4'-0"	5'-0"	6'-0"	7'-0"	8'-0"	9'-0"	10'-0"	11'-0"	12'-0"	13'-0"	14'-0"	15'-0"	16'-0"	17'-0"	18'-0"	19'-0"	20'-0"	21'-0"	22'-0"
0'-0"	20'-7"	18'-9"	17'-5"	16'-4"	15'-6"	14'-10"	14'-3"	13'-9"	13'-4"	13'-0"	13'-0"	12'-8"	12'-4"	12'-0"	11'-9"	11'-7"	11'-3"	11'-0"	10'-8"	10'-2"
0'-6"	18'-9"	17'-5"	16'-4"	15'-6"	14'-10"	14'-3"	13'-9"	13'-4"	13'-0"	12'-8"	12'-4"	12'-0"	11'-9"	11'-7"	11'-3"	11'-0"	10'-8"	10'-2"	10'-0"	9'-7"
1'-0"	17'-5"	16'-4"	15'-6"	14'-10"	14'-3"	13'-9"	13'-4"	13'-0"	12'-8"	12'-4"	12'-0"	11'-9"	11'-7"	11'-3"	11'-0"	10'-8"	10'-2"	10'-0"	9'-9"	9'-7"
1'-6"	16'-4"	15'-6"	14'-10"	14'-3"	13'-9"	13'-4"	13'-0"	12'-8"	12'-4"	12'-0"	11'-9"	11'-7"	11'-3"	11'-0"	10'-8"	10'-2"	10'-0"	9'-9"	9'-7"	9'-4"
2'-0"	15'-6"	14'-10"	14'-3"	13'-9"	13'-4"	13'-0"	12'-8"	12'-4"	12'-0"	11'-9"	11'-7"	11'-3"	11'-0"	10'-8"	10'-2"	10'-0"	9'-9"	9'-7"	9'-4"	9'-0"
2'-6"	14'-10"	14'-3"	13'-9"	13'-4"	13'-0"	12'-8"	12'-4"	12'-0"	11'-9"	11'-7"	11'-3"	11'-0"	10'-8"	10'-2"	10'-0"	9'-9"	9'-7"	9'-4"	9'-0"	8'-10"
3'-0"	14'-3"	13'-9"	13'-4"	13'-0"	12'-8"	12'-4"	12'-0"	11'-9"	11'-7"	11'-3"	11'-0"	10'-8"	10'-2"	10'-0"	9'-9"	9'-7"	9'-4"	9'-0"	8'-10"	8'-7"
3'-6"	13'-9"	13'-4"	13'-0"	12'-8"	12'-4"	12'-0"	11'-9"	11'-7"	11'-3"	11'-0"	10'-8"	10'-2"	10'-0"	9'-9"	9'-7"	9'-4"	9'-0"	8'-10"	8'-7"	8'-5"
4'-0"	13'-4"	13'-0"	12'-8"	12'-4"	12'-0"	11'-9"	11'-7"	11'-3"	11'-0"	10'-8"	10'-2"	10'-0"	9'-9"	9'-7"	9'-4"	9'-0"	8'-10"	8'-7"	8'-5"	8'-2"
4'-6"	13'-0"	12'-8"	12'-4"	12'-0"	11'-9"	11'-7"	11'-3"	11'-0"	10'-8"	10'-2"	10'-0"	9'-9"	9'-7"	9'-4"	9'-0"	8'-10"	8'-7"	8'-5"	8'-2"	8'-0"
5'-0"	12'-8"	12'-4"	12'-0"	11'-9"	11'-7"	11'-3"	11'-0"	10'-8"	10'-2"	10'-0"	9'-9"	9'-7"	9'-4"	9'-0"	8'-10"	8'-7"	8'-5"	8'-2"	8'-0"	8'-0"
5'-6"	12'-4"	12'-0"	11'-9"	11'-7"	11'-3"	11'-0"	10'-8"	10'-2"	10'-0"	9'-9"	9'-7"	9'-4"	9'-0"	8'-10"	8'-7"	8'-5"	8'-2"	8'-0"	8'-0"	8'-0"
6'-0"	12'-0"	11'-9"	11'-7"	11'-3"	11'-0"	10'-8"	10'-2"	10'-0"	9'-9"	9'-7"	9'-4"	9'-0"	8'-10"	8'-7"	8'-5"	8'-2"	8'-0"	8'-0"	8'-0"	8'-0"

MAXIMUM BOX BEAM SPAN (DOUBLE BOX BEAM BETWEEN POSTS)

CANTILEVER LENGTH (FEET)	JOIST SPAN (LEDGER TO BOX BEAM) (FEET)																			
	3'-0"	4'-0"	5'-0"	6'-0"	7'-0"	8'-0"	9'-0"	10'-0"	11'-0"	12'-0"	13'-0"	14'-0"	15'-0"	16'-0"	17'-0"	18'-0"	19'-0"	20'-0"	21'-0"	22'-0"
0'-0"	26'-0"	23'-7"	21'-11"	20'-7"	19'-7"	18'-9"	18'-0"	17'-5"	16'-10"	16'-4"	15'-11"	15'-6"	15'-2"	14'-10"	14'-7"	14'-3"	13'-9"	13'-4"	13'-0"	12'-10"
0'-6"	23'-7"	21'-11"	20'-7"	19'-7"	18'-9"	18'-0"	17'-5"	16'-10"	16'-4"	15'-11"	15'-6"	15'-2"	14'-10"	14'-7"	14'-3"	13'-9"	13'-4"	13'-0"	12'-10"	12'-8"
1'-0"	21'-11"	20'-7"	19'-7"	18'-9"	18'-0"	17'-5"	16'-10"	16'-4"	15'-11"	15'-6"	15'-2"	14'-10"	14'-7"	14'-3"	13'-9"	13'-4"	13'-0"	12'-10"	12'-8"	12'-6"
1'-6"	20'-7"	19'-7"	18'-9"	18'-0"	17'-5"	16'-10"	16'-4"	15'-11"	15'-6"	15'-2"	14'-10"	14'-7"	14'-3"	13'-9"	13'-4"	13'-0"	12'-10"	12'-8"	12'-6"	12'-4"
2'-0"	19'-7"	18'-9"	18'-0"	17'-5"	16'-10"	16'-4"	15'-11"	15'-6"	15'-2"	14'-10"	14'-7"	14'-3"	13'-9"	13'-4"	13'-0"	12'-10"	12'-8"	12'-6"	12'-4"	12'-2"
2'-6"	18'-9"	18'-0"	17'-5"	16'-10"	16'-4"	15'-11"	15'-6"	15'-2"	14'-10"	14'-7"	14'-3"	13'-9"	13'-4"	13'-0"	12'-10"	12'-8"	12'-6"	12'-4"	12'-2"	12'-0"
3'-0"	18'-0"	17'-5"	16'-10"	16'-4"	15'-11"	15'-6"	15'-2"	14'-10"	14'-7"	14'-3"	13'-9"	13'-4"	13'-0"	12'-10"	12'-8"	12'-6"	12'-4"	12'-2"	12'-0"	11'-11"
3'-6"	17'-5"	16'-10"	16'-4"	15'-11"	15'-6"	15'-2"	14'-10"	14'-7"	14'-3"	13'-9"	13'-4"	13'-0"	12'-10"	12'-8"	12'-6"	12'-4"	12'-2"	12'-0"	11'-11"	11'-9"
4'-0"	16'-10"	16'-4"	15'-11"	15'-6"	15'-2"	14'-10"	14'-7"	14'-3"	13'-9"	13'-4"	13'-0"	12'-10"	12'-8"	12'-6"	12'-4"	12'-2"	12'-0"	11'-11"	11'-9"	11'-8"
4'-6"	16'-4"	15'-11"	15'-6"	15'-2"	14'-10"	14'-7"	14'-3"	13'-9"	13'-4"	13'-0"	12'-10"	12'-8"	12'-6"	12'-4"	12'-2"	12'-0"	11'-11"	11'-9"	11'-8"	11'-6"
5'-0"	15'-11"	15'-6"	15'-2"	14'-10"	14'-7"	14'-3"	13'-9"	13'-4"	13'-0"	12'-10"	12'-8"	12'-6"	12'-4"	12'-2"	12'-0"	11'-11"	11'-9"	11'-8"	11'-6"	11'-4"
5'-6"	15'-6"	15'-2"	14'-10"	14'-7"	14'-3"	13'-9"	13'-4"	13'-0"	12'-10"	12'-8"	12'-6"	12'-4"	12'-2"	12'-0"	11'-11"	11'-9"	11'-8"	11'-6"	11'-4"	11'-2"
6'-0"	15'-2"	14'-10"	14'-7"	14'-3"	13'-9"	13'-4"	13'-0"	12'-10"	12'-8"	12'-6"	12'-4"	12'-2"	12'-0"	11'-11"	11'-9"	11'-8"	11'-6"	11'-4"	11'-2"	11'-0"

NOTES:

- All loads and load combinations are determined using ASCE 7-16. DL=Dead Load, LL=Live Load, SL=Snow Load. When LL<SL, the total load (TL) is 1.2DL+1.6SL+0.5LL, otherwise TL=1.2DL+1.6LL+0.5SL.
- Loads used to produce the tables above are as follows: DL=10psf, LL=40psf, SL=0psf.
- Deflection limits for joists are determined using 2021 IBC Section R505, Steel Floor Framing. Joists - Live load deflection is limited to L/480, total deflection is limited to L/240, where L is the span length. Box Beams - Live load deflection is limited to L/360, total deflection is limited to L/240, where L is the span length.
- Grey areas in tables indicate instances where the joists do not backspan twice the cantilever distance or where the maximum joist span is exceeded.
- Grey areas are established based on 12 in. O.C. joist capacity.
- A partial list of section properties for each member is provided in the New Castle Steel Deck Framing / Inspection Details Table.
- Joist and box beam capacity are determined with AISI S100-16 (LRFD).
- 1 5/8" joist and 2" joist yield stress is assumed as 33ksi and 50 ksi respectively.
- Box beam yield stress is assumed as 50ksi.
- If a box beam is supported by more than two posts, then its span selected above should be multiplied by 0.85 for a single box beam and 0.90 for a double box beam.
- If a box beam is provided as an intermediate joist support, then its span selected above or modified by Note 10 should be multiplied by 0.60 for a "dropped" box beam and 0.70 for a "flush" box beam.
- This span chart should not be used for decks located in a hurricane zone (in hurricane zones table E125, E150, or E200 should be used).
- Refer to table on page 9 for max joist span before a drop beam is required.

Table Instructions: Enter the table with a joist span and cantilever length within the joist span limits based on the joist option, then read the maximum allowable box beam span.

JOIST SPAN LIMITS

Joist option	1 5/8"		1 5/8", every other joist doubled		1 5/8", all doubled		2", every other joist doubled		2", all doubled	
	12"	16"	12"	16"	12"	16"	12"	16"	12"	16"
Joist Spacing O.C.	12"	16"	12"	16"	12"	16"	12"	16"	12"	16"
Maximum Joist Span (Ledger To Box Beam)	14'	12'	16'	14'	18'	16'	18'	16'	20'	18'
Maximum Cantilever Length	4'	4'	5'	4'	6'	5'	6'	5'	6'	6'

MAXIMUM BOX BEAM SPAN (SINGLE BOX BEAM BETWEEN POSTS)

CANTILEVER LENGTH (FEET)	JOIST SPAN (LEDGER TO BOX BEAM) (FEET)																			
	3'-0"	4'-0"	5'-0"	6'-0"	7'-0"	8'-0"	9'-0"	10'-0"	11'-0"	12'-0"	13'-0"	14'-0"	15'-0"	16'-0"	17'-0"	18'-0"	19'-0"	20'-0"	21'-0"	22'-0"
0'-0"	19'-2"	17'-5"	16'-2"	15'-2"	14'-5"	13'-9"	13'-3"	12'-10"	12'-5"	12'-0"	11'-9"	11'-5"	11'-2"	10'-11"	10'-9"	10'-5"	10'-2"	10'-0"	9'-8"	9'-5"
0'-6"	17'-5"	16'-2"	15'-2"	14'-5"	13'-9"	13'-3"	12'-10"	12'-5"	12'-0"	11'-9"	11'-5"	11'-2"	10'-11"	10'-9"	10'-5"	10'-2"	10'-0"	9'-8"	9'-5"	9'-3"
1'-0"	16'-2"	15'-2"	14'-5"	13'-9"	13'-3"	12'-10"	12'-5"	12'-0"	11'-9"	11'-5"	11'-2"	10'-11"	10'-9"	10'-5"	10'-2"	10'-0"	9'-8"	9'-5"	9'-3"	9'-0"
1'-6"	15'-2"	14'-5"	13'-9"	13'-3"	12'-10"	12'-5"	12'-0"	11'-9"	11'-5"	11'-2"	10'-11"	10'-9"	10'-5"	10'-2"	10'-0"	9'-8"	9'-5"	9'-3"	9'-0"	8'-10"
2'-0"	14'-5"	13'-9"	13'-3"	12'-10"	12'-5"	12'-0"	11'-9"	11'-5"	11'-2"	10'-11"	10'-9"	10'-5"	10'-2"	10'-0"	9'-8"	9'-5"	9'-3"	9'-0"	8'-10"	8'-8"
2'-6"	13'-9"	13'-3"	12'-10"	12'-5"	12'-0"	11'-9"	11'-5"	11'-2"	10'-11"	10'-9"	10'-5"	10'-2"	10'-0"	9'-8"	9'-5"	9'-3"	9'-0"	8'-10"	8'-8"	8'-6"
3'-0"	13'-3"	12'-10"	12'-5"	12'-0"	11'-9"	11'-5"	11'-2"	10'-11"	10'-9"	10'-5"	10'-2"	10'-0"	9'-8"	9'-5"	9'-3"	9'-0"	8'-10"	8'-8"	8'-6"	8'-4"
3'-6"	12'-10"	12'-5"	12'-0"	11'-9"	11'-5"	11'-2"	10'-11"	10'-9"	10'-5"	10'-2"	10'-0"	9'-8"	9'-5"	9'-3"	9'-0"	8'-10"	8'-8"	8'-6"	8'-4"	8'-3"
4'-0"	12'-5"	12'-0"	11'-9"	11'-5"	11'-2"	10'-11"	10'-9"	10'-5"	10'-2"	10'-0"	9'-8"	9'-5"	9'-3"	9'-0"	8'-10"	8'-8"	8'-6"	8'-4"	8'-3"	8'-1"
4'-6"	12'-0"	11'-9"	11'-5"	11'-2"	10'-11"	10'-9"	10'-5"	10'-2"	10'-0"	9'-8"	9'-5"	9'-3"	9'-0"	8'-10"	8'-8"	8'-6"	8'-4"	8'-3"	8'-1"	7'-11"
5'-0"	11'-9"	11'-5"	11'-2"	10'-11"	10'-9"	10'-5"	10'-2"	10'-0"	9'-8"	9'-5"	9'-3"	9'-0"	8'-10"	8'-8"	8'-6"	8'-4"	8'-3"	8'-1"	7'-11"	7'-10"
5'-6"	11'-5"	11'-2"	10'-11"	10'-9"	10'-5"	10'-2"	10'-0"	9'-8"	9'-5"	9'-3"	9'-0"	8'-10"	8'-8"	8'-6"	8'-4"	8'-3"	8'-1"	7'-11"	7'-10"	7'-8"
6'-0"	11'-2"	10'-11"	10'-9"	10'-5"	10'-2"	10'-0"	9'-8"	9'-5"	9'-3"	9'-0"	8'-10"	8'-8"	8'-6"	8'-4"	8'-3"	8'-1"	7'-11"	7'-10"	7'-8"	7'-7"

MAXIMUM BOX BEAM SPAN (DOUBLE BOX BEAM BETWEEN POSTS)

CANTILEVER LENGTH (FEET)	JOIST SPAN (LEDGER TO BOX BEAM) (FEET)																			
	3'-0"	4'-0"	5'-0"	6'-0"	7'-0"	8'-0"	9'-0"	10'-0"	11'-0"	12'-0"	13'-0"	14'-0"	15'-0"	16'-0"	17'-0"	18'-0"	19'-0"	20'-0"	21'-0"	22'-0"
0'-0"	24'-1"	21'-11"	20'-4"	19'-2"	18'-2"	17'-5"	16'-9"	16'-2"	15'-8"	15'-2"	14'-9"	14'-5"	14'-1"	13'-9"	13'-6"	13'-3"	13'-0"	12'-7"	12'-5"	12'-3"
0'-6"	21'-11"	20'-4"	19'-2"	18'-2"	17'-5"	16'-9"	16'-2"	15'-8"	15'-2"	14'-9"	14'-5"	14'-1"	13'-9"	13'-6"	13'-3"	13'-0"	12'-7"	12'-5"	12'-3"	12'-3"
1'-0"	20'-4"	19'-2"	18'-2"	17'-5"	16'-9"	16'-2"	15'-8"	15'-2"	14'-9"	14'-5"	14'-1"	13'-9"	13'-6"	13'-3"	13'-0"	12'-7"	12'-5"	12'-3"	12'-3"	12'-0"
1'-6"	19'-2"	18'-2"	17'-5"	16'-9"	16'-2"	15'-8"	15'-2"	14'-9"	14'-5"	14'-1"	13'-9"	13'-6"	13'-3"	13'-0"	12'-7"	12'-5"	12'-3"	12'-3"	12'-0"	11'-10"
2'-0"	18'-2"	17'-5"	16'-9"	16'-2"	15'-8"	15'-2"	14'-9"	14'-5"	14'-1"	13'-9"	13'-6"	13'-3"	13'-0"	12'-7"	12'-5"	12'-3"	12'-3"	12'-0"	11'-10"	11'-9"
2'-6"	17'-5"	16'-9"	16'-2"	15'-8"	15'-2"	14'-9"	14'-5"	14'-1"	13'-9"	13'-6"	13'-3"	13'-0"	12'-7"	12'-5"	12'-3"	12'-3"	12'-0"	11'-10"	11'-9"	11'-7"
3'-0"	16'-9"	16'-2"	15'-8"	15'-2"	14'-9"	14'-5"	14'-1"	13'-9"	13'-6"	13'-3"	13'-0"	12'-7"	12'-5"	12'-3"	12'-3"	12'-0"	11'-10"	11'-9"	11'-7"	11'-5"
3'-6"	16'-2"	15'-8"	15'-2"	14'-9"	14'-5"	14'-1"	13'-9"	13'-6"	13'-3"	13'-0"	12'-7"	12'-5"	12'-3"	12'-3"	12'-0"	11'-10"	11'-9"	11'-7"	11'-5"	11'-4"
4'-0"	15'-8"	15'-2"	14'-9"	14'-5"	14'-1"	13'-9"	13'-6"	13'-3"	13'-0"	12'-7"	12'-5"	12'-3"	12'-3"	12'-0"	11'-10"	11'-9"	11'-7"	11'-5"	11'-4"	11'-2"
4'-6"	15'-2"	14'-9"	14'-5"	14'-1"	13'-9"	13'-6"	13'-3"	13'-0"	12'-7"	12'-5"	12'-3"	12'-3"	12'-0"	11'-10"	11'-9"	11'-7"	11'-5"	11'-4"	11'-2"	11'-1"
5'-0"	14'-9"	14'-5"	14'-1"	13'-9"	13'-6"	13'-3"	13'-0"	12'-7"	12'-5"	12'-3"	12'-3"	12'-0"	11'-10"	11'-9"	11'-7"	11'-5"	11'-4"	11'-2"	11'-1"	10'-11"
5'-6"	14'-5"	14'-1"	13'-9"	13'-6"	13'-3"	13'-0"	12'-7"	12'-5"	12'-3"	12'-3"	12'-0"	11'-10"	11'-9"	11'-7"	11'-5"	11'-4"	11'-2"	11'-1"	10'-11"	10'-10"
6'-0"	14'-1"	13'-9"	13'-6"	13'-3"	13'-0"	12'-7"	12'-5"	12'-3"	12'-3"	12'-0"	11'-10"	11'-9"	11'-7"	11'-5"	11'-4"	11'-2"	11'-1"	10'-11"	10'-10"	10'-8"

NOTES:

- All loads and load combinations are determined using ASCE 7-16. DL=Dead Load, LL=Live Load, SL=Snow Load. When LL<SL, the total load (TL) is 1.2DL+1.6SL+0.5LL, otherwise TL=1.2DL+1.6LL+0.5SL.
- Loads used to produce the tables above are as follows: DL=10psf, LL=40psf, SL=25psf.
- Deflection limits for joists are determined using 2021 IBC Section R505, Steel Floor Framing. Joists - Live load deflection is limited to L/480, total deflection is limited to L/240, where L is the span length. Box Beams - Live load deflection is limited to L/360, total deflection is limited to L/240, where L is the span length.
- Grey areas in tables indicate instances where the joists do not backspan twice the cantilever distance or where the maximum joist span is exceeded.
- Grey areas are established based on 12 in. O.C. joist capacity.
- A partial list of section properties for each member is provided in the New Castle Steel Deck Framing / Inspection Details Table.
- Joist and box beam capacity are determined with AISI S100-16 (LRFD).
- 1 5/8" joist and 2" joist yield stress is assumed as 33ksi and 50 ksi respectively.
- Box beam yield stress is assumed as 50ksi.
- If a box beam is supported by more than two posts, then its span selected above should be multiplied by 0.85 for a single box beam and 0.90 for a double box beam.
- If a box beam is provided as an intermediate joist support, then its span selected above or modified by Note 10 should be multiplied by 0.60 for a "dropped" box beam and 0.70 for a "flush" box beam.
- This span chart should not be used for decks located in a hurricane zone (in hurricane zones table E125, E150, or E200 should be used).
- Refer to table on page 9 for max joist span before a drop beam is required.

Table Instructions: Enter the table with a joist span and cantilever length within the joist span limits based on the joist option, then read the maximum allowable box beam span.

Joist option	JOIST SPAN LIMITS					
	1 5/8"		1 5/8", every other joist doubled		2", every other joist doubled	
Joist Spacing O.C.	12"	16"	12"	16"	12"	16"
Maximum Joist Span (Ledger To Box Beam)	12'	11'	14'	12'	16'	16"
Maximum Cantilever Length	4'	3'	4'	3'	5'	6'

MAXIMUM BOX BEAM SPAN (SINGLE BOX BEAM BETWEEN POSTS)

CANTILEVER LENGTH (FEET)	JOIST SPAN (LEDGER TO BOX BEAM) (FEET)																			
	3'-0"	4'-0"	5'-0"	6'-0"	7'-0"	8'-0"	9'-0"	10'-0"	11'-0"	12'-0"	13'-0"	14'-0"	15'-0"	16'-0"	17'-0"	18'-0"	19'-0"	20'-0"	21'-0"	22'-0"
0'-0"	17'-5"	15'-9"	14'-8"	13'-9"	13'-1"	12'-6"	12'-0"	11'-7"	11'-3"	10'-11"	10'-8"	10'-5"	10'-2"	9'-10"	9'-6"	9'-3"	9'-0"	8'-10"	8'-7"	8'-5"
0'-6"	15'-9"	14'-8"	13'-9"	13'-1"	12'-6"	12'-0"	11'-7"	11'-3"	10'-11"	10'-8"	10'-5"	10'-2"	9'-10"	9'-6"	9'-3"	9'-0"	8'-10"	8'-7"	8'-5"	8'-2"
1'-0"	14'-8"	13'-9"	13'-1"	12'-6"	12'-0"	11'-7"	11'-3"	10'-11"	10'-8"	10'-5"	10'-2"	9'-10"	9'-6"	9'-3"	9'-0"	8'-10"	8'-7"	8'-5"	8'-2"	8'-0"
1'-6"	13'-9"	13'-1"	12'-6"	12'-0"	11'-7"	11'-3"	10'-11"	10'-8"	10'-5"	10'-2"	9'-10"	9'-6"	9'-3"	9'-0"	8'-10"	8'-7"	8'-5"	8'-2"	8'-0"	8'-0"
2'-0"	13'-1"	12'-6"	12'-0"	11'-7"	11'-3"	10'-11"	10'-8"	10'-5"	10'-2"	9'-10"	9'-6"	9'-3"	9'-0"	8'-10"	8'-7"	8'-5"	8'-2"	8'-0"	7'-10"	7'-10"
2'-6"	12'-6"	12'-0"	11'-7"	11'-3"	10'-11"	10'-8"	10'-5"	10'-2"	9'-10"	9'-6"	9'-3"	9'-0"	8'-10"	8'-7"	8'-5"	8'-2"	8'-0"	7'-10"	7'-8"	7'-8"
3'-0"	12'-0"	11'-7"	11'-3"	10'-11"	10'-8"	10'-5"	10'-2"	9'-10"	9'-6"	9'-3"	9'-0"	8'-10"	8'-7"	8'-5"	8'-2"	8'-0"	7'-10"	7'-8"	7'-7"	7'-7"
3'-6"	11'-7"	11'-3"	10'-11"	10'-8"	10'-5"	10'-2"	9'-10"	9'-6"	9'-3"	9'-0"	8'-10"	8'-7"	8'-5"	8'-2"	8'-0"	7'-10"	7'-8"	7'-7"	7'-5"	7'-5"
4'-0"	11'-3"	10'-11"	10'-8"	10'-5"	10'-2"	9'-10"	9'-6"	9'-3"	9'-0"	8'-10"	8'-7"	8'-5"	8'-2"	8'-0"	7'-10"	7'-8"	7'-7"	7'-5"	7'-4"	7'-4"
4'-6"	10'-11"	10'-8"	10'-5"	10'-2"	9'-10"	9'-6"	9'-3"	9'-0"	8'-10"	8'-7"	8'-5"	8'-2"	8'-0"	7'-10"	7'-8"	7'-7"	7'-5"	7'-4"	7'-2"	7'-2"
5'-0"	10'-8"	10'-5"	10'-2"	9'-10"	9'-6"	9'-3"	9'-0"	8'-10"	8'-7"	8'-5"	8'-2"	8'-0"	7'-10"	7'-8"	7'-7"	7'-5"	7'-4"	7'-2"	7'-1"	7'-1"
5'-6"	10'-5"	10'-2"	9'-10"	9'-6"	9'-3"	9'-0"	8'-10"	8'-7"	8'-5"	8'-2"	8'-0"	7'-10"	7'-8"	7'-7"	7'-5"	7'-4"	7'-2"	7'-1"	6'-11"	6'-11"
6'-0"	10'-2"	9'-10"	9'-6"	9'-3"	9'-0"	8'-10"	8'-7"	8'-5"	8'-2"	8'-0"	7'-10"	7'-8"	7'-7"	7'-5"	7'-4"	7'-2"	7'-1"	6'-11"	6'-10"	6'-10"

MAXIMUM BOX BEAM SPAN (DOUBLE BOX BEAM BETWEEN POSTS)

CANTILEVER LENGTH (FEET)	JOIST SPAN (LEDGER TO BOX BEAM) (FEET)																			
	3'-0"	4'-0"	5'-0"	6'-0"	7'-0"	8'-0"	9'-0"	10'-0"	11'-0"	12'-0"	13'-0"	14'-0"	15'-0"	16'-0"	17'-0"	18'-0"	19'-0"	20'-0"	21'-0"	22'-0"
0'-0"	21'-11"	19'-11"	18'-6"	17'-5"	16'-6"	15'-9"	15'-2"	14'-8"	14'-2"	13'-9"	13'-5"	13'-1"	12'-10"	12'-6"	12'-3"	12'-0"	11'-10"	11'-7"	11'-5"	11'-3"
0'-6"	19'-11"	18'-6"	17'-5"	16'-6"	15'-9"	15'-2"	14'-8"	14'-2"	13'-9"	13'-5"	13'-1"	12'-10"	12'-6"	12'-3"	12'-0"	11'-10"	11'-7"	11'-5"	11'-3"	11'-1"
1'-0"	18'-6"	17'-5"	16'-6"	15'-9"	15'-2"	14'-8"	14'-2"	13'-9"	13'-5"	13'-1"	12'-10"	12'-6"	12'-3"	12'-0"	11'-10"	11'-7"	11'-5"	11'-3"	11'-1"	10'-11"
1'-6"	17'-5"	16'-6"	15'-9"	15'-2"	14'-8"	14'-2"	13'-9"	13'-5"	13'-1"	12'-10"	12'-6"	12'-3"	12'-0"	11'-10"	11'-7"	11'-5"	11'-3"	11'-1"	10'-11"	10'-9"
2'-0"	16'-6"	15'-9"	15'-2"	14'-8"	14'-2"	13'-9"	13'-5"	13'-1"	12'-10"	12'-6"	12'-3"	12'-0"	11'-10"	11'-7"	11'-5"	11'-3"	11'-1"	10'-11"	10'-9"	10'-8"
2'-6"	15'-9"	15'-2"	14'-8"	14'-2"	13'-9"	13'-5"	13'-1"	12'-10"	12'-6"	12'-3"	12'-0"	11'-10"	11'-7"	11'-5"	11'-3"	11'-1"	10'-11"	10'-9"	10'-8"	10'-6"
3'-0"	15'-2"	14'-8"	14'-2"	13'-9"	13'-5"	13'-1"	12'-10"	12'-6"	12'-3"	12'-0"	11'-10"	11'-7"	11'-5"	11'-3"	11'-1"	10'-11"	10'-9"	10'-8"	10'-6"	10'-5"
3'-6"	14'-8"	14'-2"	13'-9"	13'-5"	13'-1"	12'-10"	12'-6"	12'-3"	12'-0"	11'-10"	11'-7"	11'-5"	11'-3"	11'-1"	10'-11"	10'-9"	10'-8"	10'-6"	10'-5"	10'-3"
4'-0"	14'-2"	13'-9"	13'-5"	13'-1"	12'-10"	12'-6"	12'-3"	12'-0"	11'-10"	11'-7"	11'-5"	11'-3"	11'-1"	10'-11"	10'-9"	10'-8"	10'-6"	10'-5"	10'-3"	10'-1"
4'-6"	13'-9"	13'-5"	13'-1"	12'-10"	12'-6"	12'-3"	12'-0"	11'-10"	11'-7"	11'-5"	11'-3"	11'-1"	10'-11"	10'-9"	10'-8"	10'-6"	10'-5"	10'-3"	10'-1"	9'-11"
5'-0"	13'-5"	13'-1"	12'-10"	12'-6"	12'-3"	12'-0"	11'-10"	11'-7"	11'-5"	11'-3"	11'-1"	10'-11"	10'-9"	10'-8"	10'-6"	10'-5"	10'-3"	10'-1"	9'-11"	9'-9"
5'-6"	13'-1"	12'-10"	12'-6"	12'-3"	12'-0"	11'-10"	11'-7"	11'-5"	11'-3"	11'-1"	10'-11"	10'-9"	10'-8"	10'-6"	10'-5"	10'-3"	10'-1"	9'-11"	9'-9"	9'-8"
6'-0"	12'-10"	12'-6"	12'-3"	12'-0"	11'-10"	11'-7"	11'-5"	11'-3"	11'-1"	10'-11"	10'-9"	10'-8"	10'-6"	10'-5"	10'-3"	10'-1"	9'-11"	9'-9"	9'-8"	9'-6"

NOTES:

- All loads and load combinations are determined using ASCE 7-16. DL=Dead Load, LL=Live Load, SL=Snow Load. When LL<SL, the total load (TL) is 1.2DL+1.6SL+0.5LL, otherwise TL=1.2DL+1.6LL+0.5SL.
- Loads used to produce the tables above are as follows: DL=10psf, LL=40psf, SL=50psf.
- Deflection limits for joists are determined using 2021 IBC Section R505, Steel Floor Framing. Joists - Live load deflection is limited to L/480, total deflection is limited to L/240, where L is the span length. Box Beams - Live load deflection is limited to L/360, total deflection is limited to L/240, where L is the span length.
- Grey areas in tables indicate instances where the joists do not backspan twice the cantilever distance or where the maximum joist span is exceeded.
- Grey areas are established based on 12 in. O.C. joist capacity.
- A partial list of section properties for each member is provided in the New Castle Steel Deck Framing / Inspection Details Table.
- Joist and box beam capacity are determined with AISI S100-16 (LRFD).
- 1 5/8" joist and 2" joist yield stress is assumed as 33ksi and 50 ksi respectively.
- Box beam yield stress is assumed as 50ksi.
- If a box beam is supported by more than two posts, then its span selected above should be multiplied by 0.85 for a single box beam and 0.90 for a double box beam.
- If a box beam is provided as an intermediate joist support, then its span selected above or modified by Note 10 should be multiplied by 0.60 for a "dropped" box beam and 0.70 for a "flush" box beam.
- This span chart should not be used for decks located in a hurricane zone (in hurricane zones table E125, E150, or E200 should be used).
- Refer to table on page 9 for max joist span before a drop beam is required.

Table Instructions: Enter the table with a joist span and cantilever length within the joist span limits based on the joist option, then read the maximum allowable box beam span.

Joist option	JOIST SPAN LIMITS									
	1 5/8"		1 5/8", every other joist doubled		1 5/8", all doubled		2"		2", every other joist doubled	
	12"	16"	12"	16"	12"	16"	12"	16"	12"	16"
Joist Spacing O.C.	12"	16"	12"	16"	12"	16"	12"	16"	12"	16"
Maximum Joist Span (Ledger To Box Beam)	10'	9'	12'	10'	14'	12'	15'	14'	17'	16'
Maximum Cantilever Length	3'	2'	3'	3'	4'	4'	5'	4'	5'	6'

MAXIMUM BOX BEAM SPAN (SINGLE BOX BEAM BETWEEN POSTS)

CANTILEVER LENGTH (FEET)	JOIST SPAN (LEDGER TO BOX BEAM) (FEET)																				
	3'-0"	4'-0"	5'-0"	6'-0"	7'-0"	8'-0"	9'-0"	10'-0"	11'-0"	12'-0"	13'-0"	14'-0"	15'-0"	16'-0"	17'-0"	18'-0"	19'-0"	20'-0"	21'-0"	22'-0"	
0'-0"	16'-2"	14'-8"	13'-7"	12'-10"	12'-2"	11'-7"	11'-2"	10'-8"	10'-2"	9'-9"	9'-4"	9'-0"	8'-9"	8'-5"	8'-2"	7'-11"	7'-9"	8'-5"	8'-2"	7'-9"	7'-0"
0'-6"	14'-8"	13'-7"	12'-10"	12'-2"	11'-7"	11'-2"	10'-8"	10'-2"	9'-9"	9'-4"	9'-0"	8'-9"	8'-5"	8'-2"	7'-11"	7'-9"	8'-5"	8'-2"	7'-9"	7'-0"	7'-9"
1'-0"	13'-7"	12'-10"	12'-2"	11'-7"	11'-2"	10'-8"	10'-2"	9'-9"	9'-4"	9'-0"	8'-9"	8'-5"	8'-2"	7'-11"	7'-9"	8'-5"	8'-2"	7'-9"	7'-0"	7'-9"	7'-4"
1'-6"	12'-10"	12'-2"	11'-7"	11'-2"	10'-8"	10'-2"	9'-9"	9'-4"	9'-0"	8'-9"	8'-5"	8'-2"	7'-11"	7'-9"	8'-5"	8'-2"	7'-9"	7'-0"	7'-9"	7'-0"	7'-2"
2'-0"	12'-2"	11'-7"	11'-2"	10'-8"	10'-2"	9'-9"	9'-4"	9'-0"	8'-9"	8'-5"	8'-2"	7'-11"	7'-9"	8'-5"	8'-2"	7'-9"	7'-0"	7'-9"	7'-0"	7'-9"	7'-0"
2'-6"	11'-7"	11'-2"	10'-8"	10'-2"	9'-9"	9'-4"	9'-0"	8'-9"	8'-5"	8'-2"	7'-11"	7'-9"	8'-5"	8'-2"	7'-9"	7'-0"	7'-9"	7'-0"	7'-9"	7'-0"	6'-11"
3'-0"	11'-2"	10'-8"	10'-2"	9'-9"	9'-4"	9'-0"	8'-9"	8'-5"	8'-2"	7'-11"	7'-9"	8'-5"	8'-2"	7'-9"	7'-0"	7'-9"	7'-0"	7'-9"	7'-0"	7'-9"	6'-9"
3'-6"	10'-8"	10'-2"	9'-9"	9'-4"	9'-0"	8'-9"	8'-5"	8'-2"	7'-11"	7'-9"	8'-5"	8'-2"	7'-9"	7'-0"	7'-9"	7'-0"	7'-9"	7'-0"	7'-9"	7'-0"	6'-7"
4'-0"	10'-2"	9'-9"	9'-4"	9'-0"	8'-9"	8'-5"	8'-2"	7'-11"	7'-9"	8'-5"	8'-2"	7'-9"	7'-0"	7'-9"	7'-0"	7'-9"	7'-0"	7'-9"	7'-0"	7'-9"	6'-6"
4'-6"	9'-9"	9'-4"	9'-0"	8'-9"	8'-5"	8'-2"	7'-11"	7'-9"	8'-5"	8'-2"	7'-9"	7'-0"	7'-9"	7'-0"	7'-9"	7'-0"	7'-9"	7'-0"	7'-9"	7'-0"	6'-4"
5'-0"	9'-4"	9'-0"	8'-9"	8'-5"	8'-2"	7'-11"	7'-9"	8'-5"	8'-2"	7'-9"	7'-0"	7'-9"	7'-0"	7'-9"	7'-0"	7'-9"	7'-0"	7'-9"	7'-0"	7'-9"	6'-3"
5'-6"	9'-0"	8'-9"	8'-5"	8'-2"	7'-11"	7'-9"	8'-5"	8'-2"	7'-9"	8'-5"	8'-2"	7'-9"	7'-0"	7'-9"	7'-0"	7'-9"	7'-0"	7'-9"	7'-0"	7'-9"	6'-2"
6'-0"	8'-9"	8'-5"	8'-2"	7'-11"	7'-9"	8'-5"	8'-2"	7'-9"	8'-5"	8'-2"	7'-9"	7'-0"	7'-9"	7'-0"	7'-9"	7'-0"	7'-9"	7'-0"	7'-9"	7'-0"	6'-1"

MAXIMUM BOX BEAM SPAN (DOUBLE BOX BEAM BETWEEN POSTS)

CANTILEVER LENGTH (FEET)	JOIST SPAN (LEDGER TO BOX BEAM) (FEET)																				
	3'-0"	4'-0"	5'-0"	6'-0"	7'-0"	8'-0"	9'-0"	10'-0"	11'-0"	12'-0"	13'-0"	14'-0"	15'-0"	16'-0"	17'-0"	18'-0"	19'-0"	20'-0"	21'-0"	22'-0"	
0'-0"	20'-4"	18'-6"	17'-2"	16'-2"	15'-4"	14'-8"	14'-1"	13'-7"	13'-2"	12'-10"	12'-5"	12'-2"	11'-10"	11'-5"	11'-2"	11'-10"	11'-5"	11'-2"	11'-10"	11'-5"	11'-2"
0'-6"	18'-6"	17'-2"	16'-2"	15'-4"	14'-8"	14'-1"	13'-7"	13'-2"	12'-10"	12'-5"	12'-2"	11'-10"	11'-5"	11'-2"	11'-10"	11'-5"	11'-2"	11'-10"	11'-5"	11'-2"	11'-11"
1'-0"	17'-2"	16'-2"	15'-4"	14'-8"	14'-1"	13'-7"	13'-2"	12'-10"	12'-5"	12'-2"	11'-10"	11'-5"	11'-2"	11'-10"	11'-5"	11'-2"	11'-10"	11'-5"	11'-2"	11'-10"	10'-8"
1'-6"	16'-2"	15'-4"	14'-8"	14'-1"	13'-7"	13'-2"	12'-10"	12'-5"	12'-2"	11'-10"	11'-5"	11'-2"	11'-10"	11'-5"	11'-2"	11'-10"	11'-5"	11'-2"	11'-10"	11'-5"	10'-4"
2'-0"	15'-4"	14'-8"	14'-1"	13'-7"	13'-2"	12'-10"	12'-5"	12'-2"	11'-10"	11'-5"	11'-2"	11'-10"	11'-5"	11'-2"	11'-10"	11'-5"	11'-2"	11'-10"	11'-5"	11'-2"	9'-11"
2'-6"	14'-8"	14'-1"	13'-7"	13'-2"	12'-10"	12'-5"	12'-2"	11'-10"	11'-5"	11'-2"	11'-10"	11'-5"	11'-2"	11'-10"	11'-5"	11'-2"	11'-10"	11'-5"	11'-2"	11'-10"	9'-8"
3'-0"	14'-1"	13'-7"	13'-2"	12'-10"	12'-5"	12'-2"	11'-10"	11'-5"	11'-2"	11'-10"	11'-5"	11'-2"	11'-10"	11'-5"	11'-2"	11'-10"	11'-5"	11'-2"	11'-10"	11'-5"	9'-6"
3'-6"	13'-7"	13'-2"	12'-10"	12'-5"	12'-2"	11'-10"	11'-5"	11'-2"	11'-10"	11'-5"	11'-2"	11'-10"	11'-5"	11'-2"	11'-10"	11'-5"	11'-2"	11'-10"	11'-5"	11'-2"	9'-4"
4'-0"	13'-2"	12'-10"	12'-5"	12'-2"	11'-10"	11'-5"	11'-2"	11'-10"	11'-5"	11'-2"	11'-10"	11'-5"	11'-2"	11'-10"	11'-5"	11'-2"	11'-10"	11'-5"	11'-2"	11'-10"	9'-2"
4'-6"	12'-10"	12'-5"	12'-2"	11'-10"	11'-5"	11'-2"	11'-10"	11'-5"	11'-2"	11'-10"	11'-5"	11'-2"	11'-10"	11'-5"	11'-2"	11'-10"	11'-5"	11'-2"	11'-10"	11'-5"	9'-0"
5'-0"	12'-5"	12'-2"	11'-10"	11'-5"	11'-2"	11'-10"	11'-5"	11'-2"	11'-10"	11'-5"	11'-2"	11'-10"	11'-5"	11'-2"	11'-10"	11'-5"	11'-2"	11'-10"	11'-5"	11'-2"	8'-10"
5'-6"	12'-2"	11'-10"	11'-5"	11'-2"	11'-10"	11'-5"	11'-2"	11'-10"	11'-5"	11'-2"	11'-10"	11'-5"	11'-2"	11'-10"	11'-5"	11'-2"	11'-10"	11'-5"	11'-2"	11'-10"	8'-8"
6'-0"	11'-10"	11'-7"	11'-5"	11'-2"	11'-10"	11'-5"	11'-2"	11'-10"	11'-5"	11'-2"	11'-10"	11'-5"	11'-2"	11'-10"	11'-5"	11'-2"	11'-10"	11'-5"	11'-2"	11'-10"	8'-6"

NOTES:

- All loads and load combinations are determined using ASCE 7-16. DL=Dead Load, LL=Live Load, SL=Snow Load. When LL<SL, the total load (TL) is 1.2DL+1.6SL+0.5LL, otherwise TL=1.2DL+1.6LL+0.5SL.
- Loads used to produce the tables above are as follows: DL=10psf, LL=40psf, SL=75psf.
- Deflection limits for joists are determined using 2021 IBC Section R505, Steel Floor Framing. Joists - Live load deflection is limited to L/480, total deflection is limited to L/240, where L is the span length. Box Beams - Live load deflection is limited to L/360, total deflection is limited to L/240, where L is the span length.
- Grey areas in tables indicate instances where the joists do not backspan twice the cantilever distance or where the maximum joist span is exceeded.
- Grey areas are established based on 12 in. O.C. joist capacity.
- A partial list of section properties for each member is provided in the New Castle Steel Deck Framing / Inspection Details Table.
- Joist and box beam capacity are determined with AISI S100-16 (LRFD).
- 1 5/8" joist and 2" joist yield stress is assumed as 33ksi and 50 ksi respectively.
- Box beam yield stress is assumed as 50ksi.
- If a box beam is supported by more than two posts, then its span selected above should be multiplied by 0.85 for a single box beam and 0.90 for a double box beam.
- If a box beam is provided as an intermediate joist support, then its span selected above or modified by Note 10 should be multiplied by 0.60 for a "dropped" box beam and 0.70 for a "flush" box beam.
- Refer to table on page 9 for max joist span before a drop beam is required.

Table Instructions: Enter the table with a joist span and cantilever length within the joist span limits based on the joist option, then read the maximum allowable box beam span.

Joist option	JOIST SPAN LIMITS					
	1 5/8"		1 5/8", every other joist doubled		2", every other joist doubled	
Joist Spacing O.C.	12"	16"	12"	16"	12"	16"
Maximum Joist Span (Ledger To Box Beam)	9'	8'	10'	9'	14'	14'
Maximum Cantilever Length	2.5'	1.5'	3'	4'	4'	5'

MAXIMUM BOX BEAM SPAN (SINGLE BOX BEAM BETWEEN POSTS)

CANTILEVER LENGTH (FEET)	JOIST SPAN (LEDGER TO BOX BEAM) (FEET)																				
	3'-0"	4'-0"	5'-0"	6'-0"	7'-0"	8'-0"	9'-0"	10'-0"	11'-0"	12'-0"	13'-0"	14'-0"	15'-0"	16'-0"	17'-0"	18'-0"	19'-0"	20'-0"	21'-0"	22'-0"	
0'-0"	15'-2"	13'-9"	12'-10"	12'-0"	11'-4"	10'-8"	10'-0"	9'-6"	9'-1"	8'-8"	8'-4"	8'-0"	7'-9"	7'-6"	7'-3"	7'-1"	7'-0"	6'-11"	6'-11"	6'-11"	6'-11"
0'-6"	13'-9"	12'-10"	12'-0"	11'-4"	10'-8"	10'-0"	9'-6"	9'-1"	8'-8"	8'-4"	8'-0"	7'-9"	7'-6"	7'-3"	7'-1"	7'-0"	6'-11"	6'-11"	6'-11"	6'-11"	6'-11"
1'-0"	12'-10"	12'-0"	11'-4"	10'-8"	10'-0"	9'-6"	9'-1"	8'-8"	8'-4"	8'-0"	7'-9"	7'-6"	7'-3"	7'-1"	7'-0"	6'-11"	6'-11"	6'-11"	6'-11"	6'-11"	6'-11"
1'-6"	12'-0"	11'-4"	10'-8"	10'-0"	9'-6"	9'-1"	8'-8"	8'-4"	8'-0"	7'-9"	7'-6"	7'-3"	7'-1"	7'-0"	6'-11"	6'-11"	6'-11"	6'-11"	6'-11"	6'-11"	6'-11"
2'-0"	11'-4"	10'-8"	10'-0"	9'-6"	9'-1"	8'-8"	8'-4"	8'-0"	7'-9"	7'-6"	7'-3"	7'-1"	6'-11"	6'-11"	6'-11"	6'-11"	6'-11"	6'-11"	6'-11"	6'-11"	6'-11"
2'-6"	10'-8"	10'-0"	9'-6"	9'-1"	8'-8"	8'-4"	8'-0"	7'-9"	7'-6"	7'-3"	7'-1"	6'-11"	6'-11"	6'-11"	6'-11"	6'-11"	6'-11"	6'-11"	6'-11"	6'-11"	6'-11"
3'-0"	10'-0"	9'-6"	9'-1"	8'-8"	8'-4"	8'-0"	7'-9"	7'-6"	7'-3"	7'-1"	6'-11"	6'-11"	6'-11"	6'-11"	6'-11"	6'-11"	6'-11"	6'-11"	6'-11"	6'-11"	6'-11"
3'-6"	9'-6"	9'-1"	8'-8"	8'-4"	8'-0"	7'-9"	7'-6"	7'-3"	7'-1"	6'-11"	6'-11"	6'-11"	6'-11"	6'-11"	6'-11"	6'-11"	6'-11"	6'-11"	6'-11"	6'-11"	6'-11"
4'-0"	9'-1"	8'-8"	8'-4"	8'-0"	7'-9"	7'-6"	7'-3"	7'-1"	6'-11"	6'-11"	6'-11"	6'-11"	6'-11"	6'-11"	6'-11"	6'-11"	6'-11"	6'-11"	6'-11"	6'-11"	6'-11"
4'-6"	8'-8"	8'-4"	8'-0"	7'-9"	7'-6"	7'-3"	7'-1"	6'-11"	6'-11"	6'-11"	6'-11"	6'-11"	6'-11"	6'-11"	6'-11"	6'-11"	6'-11"	6'-11"	6'-11"	6'-11"	6'-11"
5'-0"	8'-4"	8'-0"	7'-9"	7'-6"	7'-3"	7'-1"	6'-11"	6'-11"	6'-11"	6'-11"	6'-11"	6'-11"	6'-11"	6'-11"	6'-11"	6'-11"	6'-11"	6'-11"	6'-11"	6'-11"	6'-11"
5'-6"	8'-0"	7'-9"	7'-6"	7'-3"	7'-1"	6'-11"	6'-11"	6'-11"	6'-11"	6'-11"	6'-11"	6'-11"	6'-11"	6'-11"	6'-11"	6'-11"	6'-11"	6'-11"	6'-11"	6'-11"	6'-11"
6'-0"	7'-9"	7'-6"	7'-3"	7'-1"	6'-11"	6'-11"	6'-11"	6'-11"	6'-11"	6'-11"	6'-11"	6'-11"	6'-11"	6'-11"	6'-11"	6'-11"	6'-11"	6'-11"	6'-11"	6'-11"	6'-11"

MAXIMUM BOX BEAM SPAN (DOUBLE BOX BEAM BETWEEN POSTS)

CANTILEVER LENGTH (FEET)	JOIST SPAN (LEDGER TO BOX BEAM) (FEET)																				
	3'-0"	4'-0"	5'-0"	6'-0"	7'-0"	8'-0"	9'-0"	10'-0"	11'-0"	12'-0"	13'-0"	14'-0"	15'-0"	16'-0"	17'-0"	18'-0"	19'-0"	20'-0"	21'-0"	22'-0"	
0'-0"	19'-2"	17'-5"	16'-2"	15'-2"	14'-5"	13'-9"	13'-3"	12'-10"	12'-5"	12'-0"	11'-9"	11'-4"	10'-11"	10'-7"	10'-3"	10'-0"	9'-8"	9'-8"	9'-8"	9'-8"	9'-8"
0'-6"	17'-5"	16'-2"	15'-2"	14'-5"	13'-9"	13'-3"	12'-10"	12'-5"	12'-0"	11'-9"	11'-4"	10'-11"	10'-7"	10'-3"	10'-0"	9'-8"	9'-8"	9'-8"	9'-8"	9'-8"	9'-8"
1'-0"	16'-2"	15'-2"	14'-5"	13'-9"	13'-3"	12'-10"	12'-5"	12'-0"	11'-9"	11'-4"	10'-11"	10'-7"	10'-3"	10'-0"	9'-8"	9'-8"	9'-8"	9'-8"	9'-8"	9'-8"	9'-8"
1'-6"	15'-2"	14'-5"	13'-9"	13'-3"	12'-10"	12'-5"	12'-0"	11'-9"	11'-4"	10'-11"	10'-7"	10'-3"	10'-0"	9'-8"	9'-8"	9'-8"	9'-8"	9'-8"	9'-8"	9'-8"	9'-8"
2'-0"	14'-5"	13'-9"	13'-3"	12'-10"	12'-5"	12'-0"	11'-9"	11'-4"	10'-11"	10'-7"	10'-3"	10'-0"	9'-8"	9'-8"	9'-8"	9'-8"	9'-8"	9'-8"	9'-8"	9'-8"	9'-8"
2'-6"	13'-9"	13'-3"	12'-10"	12'-5"	12'-0"	11'-9"	11'-4"	10'-11"	10'-7"	10'-3"	10'-0"	9'-8"	9'-8"	9'-8"	9'-8"	9'-8"	9'-8"	9'-8"	9'-8"	9'-8"	9'-8"
3'-0"	13'-3"	12'-10"	12'-5"	12'-0"	11'-9"	11'-4"	10'-11"	10'-7"	10'-3"	10'-0"	9'-8"	9'-8"	9'-8"	9'-8"	9'-8"	9'-8"	9'-8"	9'-8"	9'-8"	9'-8"	9'-8"
3'-6"	12'-10"	12'-5"	12'-0"	11'-9"	11'-4"	10'-11"	10'-7"	10'-3"	10'-0"	9'-8"	9'-8"	9'-8"	9'-8"	9'-8"	9'-8"	9'-8"	9'-8"	9'-8"	9'-8"	9'-8"	9'-8"
4'-0"	12'-5"	12'-0"	11'-9"	11'-4"	10'-11"	10'-7"	10'-3"	10'-0"	9'-8"	9'-8"	9'-8"	9'-8"	9'-8"	9'-8"	9'-8"	9'-8"	9'-8"	9'-8"	9'-8"	9'-8"	9'-8"
4'-6"	12'-0"	11'-9"	11'-4"	10'-11"	10'-7"	10'-3"	10'-0"	9'-8"	9'-8"	9'-8"	9'-8"	9'-8"	9'-8"	9'-8"	9'-8"	9'-8"	9'-8"	9'-8"	9'-8"	9'-8"	9'-8"
5'-0"	11'-9"	11'-4"	10'-11"	10'-7"	10'-3"	10'-0"	9'-8"	9'-8"	9'-8"	9'-8"	9'-8"	9'-8"	9'-8"	9'-8"	9'-8"	9'-8"	9'-8"	9'-8"	9'-8"	9'-8"	9'-8"
5'-6"	11'-4"	10'-11"	10'-7"	10'-3"	10'-0"	9'-8"	9'-8"	9'-8"	9'-8"	9'-8"	9'-8"	9'-8"	9'-8"	9'-8"	9'-8"	9'-8"	9'-8"	9'-8"	9'-8"	9'-8"	9'-8"
6'-0"	10'-11"	10'-7"	10'-3"	10'-0"	9'-8"	9'-8"	9'-8"	9'-8"	9'-8"	9'-8"	9'-8"	9'-8"	9'-8"	9'-8"	9'-8"	9'-8"	9'-8"	9'-8"	9'-8"	9'-8"	9'-8"

NOTES:

- All loads and load combinations are determined using ASCE 7-16. DL=Dead Load, LL=Live Load, SL=Snow Load. When LL<SL, the total load (TL) is 1.2DL+1.6SL+0.5LL, otherwise TL=1.2DL+1.6LL+0.5SL.
- Loads used to produce the tables above are as follows: DL=10psf, LL=40psf, SL=100psf.
- Deflection limits for joists are determined using 2021 IBC Section R505, Steel Floor Framing. Joists - Live load deflection is limited to L/480, total deflection is limited to L/240, where L is the span length. Box Beams - Live load deflection is limited to L/360, total deflection is limited to L/240, where L is the span length.
- Grey areas in tables indicate instances where the joists do not backspan twice the cantilever distance or where the maximum joist span is exceeded.
- Grey areas are established based on 12 in. O.C. joist capacity.
- A partial list of section properties for each member is provided in the New Castle Steel Deck Framing / Inspection Details Table.
- Joist and box beam capacity are determined with AISI S100-16 (LRFD).
- 1 5/8" joist and 2" joist yield stress is assumed as 33ksi and 50 ksi respectively.
- Box beam yield stress is assumed as 50ksi.
- If a box beam is supported by more than two posts, then its span selected above should be multiplied by 0.85 for a single box beam and 0.90 for a double box beam.
- If a box beam is provided as an intermediate joist support, then its span selected above or modified by Note 10 should be multiplied by 0.60 for a "dropped" box beam and 0.70 for a "flush" box beam.
- Refer to table on page 9 for max joist span before a drop beam is required.

Table Instructions: Enter the table with a joist span and cantilever length within the joist span limits based on the joist option, then read the maximum allowable box beam span.

Joist option	1 5/8"		1 5/8", every other joist doubled		1 5/8", all doubled		2", every other joist doubled		2", all doubled	
	12"	16"	12"	16"	12"	16"	12"	16"	12"	16"
Joist Spacing O.C.	12"	16"	12"	16"	12"	16"	12"	16"	12"	16"
Maximum Joist Span (Ledger To Box Beam)	8'	7'	9'	7'	10'	8'	13'	11'	15'	13'
Maximum Cantilever Length	1'	0.5'	3'	2'	4'	3'	4'	3'	5'	4'

MAXIMUM BOX BEAM SPAN (SINGLE BOX BEAM BETWEEN POSTS)

CANTILEVER LENGTH (FEET)	JOIST SPAN (LEDGER TO BOX BEAM) (FEET)																						
	3'-0"	3'-9"	4'-0"	5'-0"	6'-0"	7'-0"	8'-0"	9'-0"	10'-0"	11'-0"	12'-0"	13'-0"	14'-0"	15'-0"	16'-0"	17'-0"	18'-0"	19'-0"	20'-0"	21'-0"	22'-0"		
0'-0"																							
0'-6"																							
1'-0"																							
1'-6"																							
2'-0"																							
2'-6"																							
3'-0"																							
3'-6"																							
4'-0"																							
4'-6"																							
5'-0"																							
5'-6"																							
6'-0"																							

MAXIMUM BOX BEAM SPAN (DOUBLE BOX BEAM BETWEEN POSTS)

CANTILEVER LENGTH (FEET)	JOIST SPAN (LEDGER TO BOX BEAM) (FEET)																						
	3'-0"	3'-9"	4'-0"	5'-0"	6'-0"	7'-0"	8'-0"	9'-0"	10'-0"	11'-0"	12'-0"	13'-0"	14'-0"	15'-0"	16'-0"	17'-0"	18'-0"	19'-0"	20'-0"	21'-0"	22'-0"		
0'-0"																							
0'-6"																							
1'-0"																							
1'-6"																							
2'-0"																							
2'-6"																							
3'-0"																							
3'-6"																							
4'-0"																							
4'-6"																							
5'-0"																							
5'-6"																							
6'-0"																							

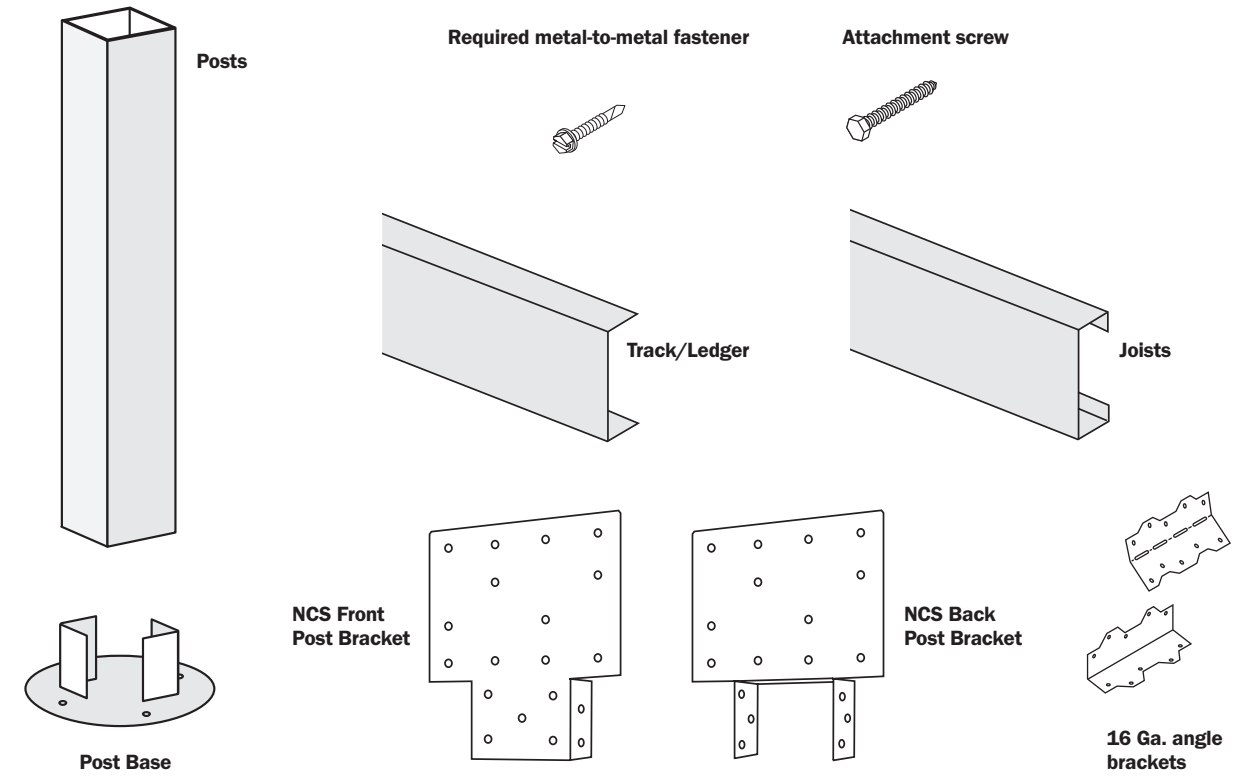
NOTES:

- All loads and load combinations are determined using ASCE 7-16. DL=Dead Load, LL=Live Load, SL=Snow Load. When LL<SL, the total load (TL) is 1.2DL+1.6SL+0.5LL, otherwise TL=1.2DL+1.6LL+0.5SL.
- Loads used to produce the tables above are as follows: DL=10psf, LL=40psf, SL=150psf.
- Deflection limits for joists are determined using 2021 IBC Section R505, Steel Floor Framing. Joists - Live load deflection is limited to L/480, total deflection is limited to L/240, where L is the span length. Box Beams - Live load deflection is limited to L/360, total deflection is limited to L/240, where L is the span length.
- Grey areas in tables indicate instances where the joists do not backspan twice the cantilever distance or where the maximum joist span is exceeded.
- Grey areas are established based on 12 in. O.C. joist capacity.
- A partial list of section properties for each member is provided in the New Castle Steel Deck Framing / Inspection Details Table.
- Joist and box beam capacity are determined with AISI S100-16 (LRFD).
- 1 5/8" joist and 2" joist yield stress is assumed as 33ksi and 50 ksi respectively.
- Box beam yield stress is assumed as 50ksi.
- If a box beam is supported by more than two posts, then its span selected above should be multiplied by 0.85 for a single box beam and 0.90 for a double box beam.
- If a box beam is provided as an intermediate joist support, then its span selected above or modified by Note 10 should be multiplied by 0.60 for a "dropped" box beam and 0.70 for a "flush" box beam.
- Refer to table on page 9 for max joist span before a drop beam is required.

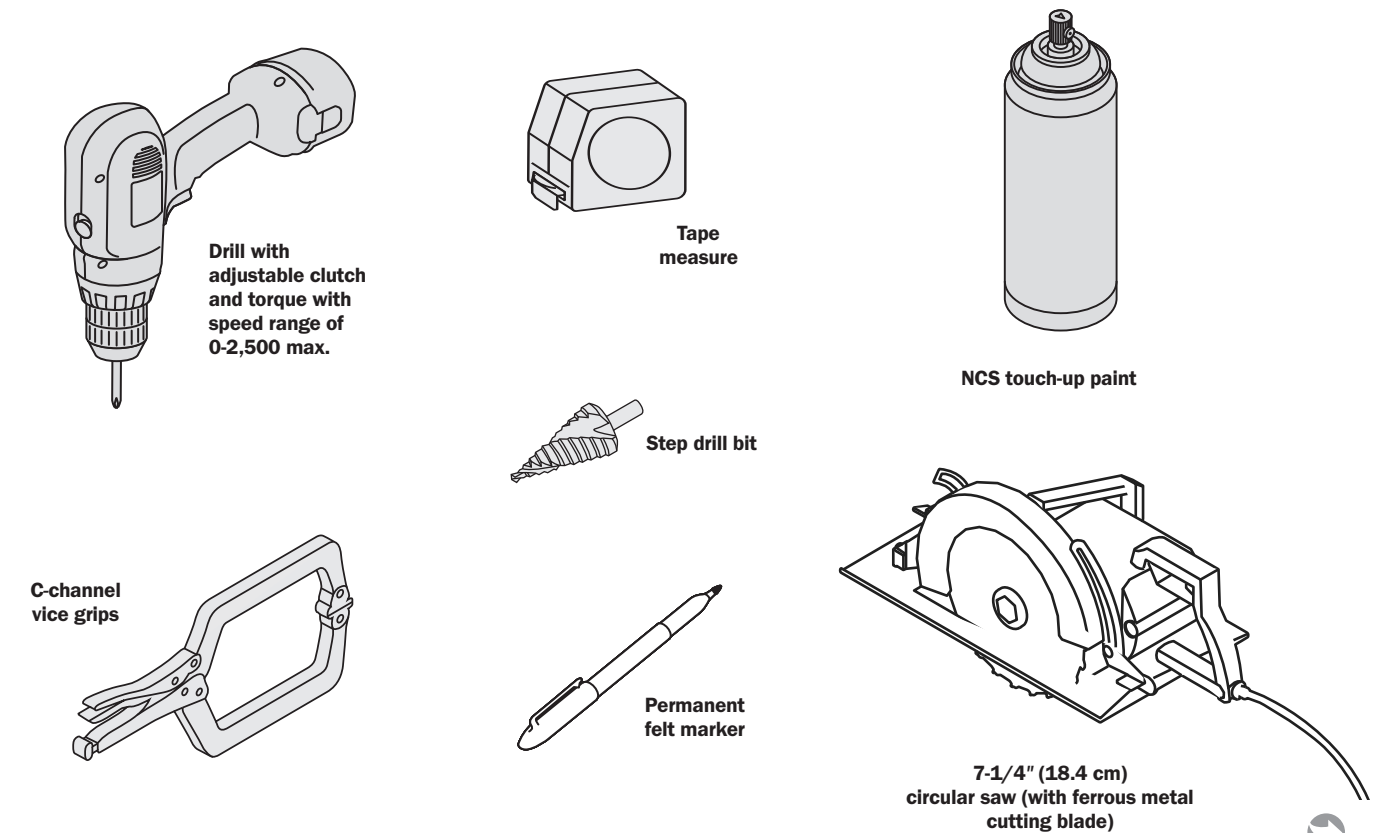
INSTALLATION

INSTALLING PIERS, POSTS, TRACK/LEDGER, AND BEAMS

PARTS



TOOLS NEEDED



INSTALLING PIERS, POSTS, TRACK/LEDGER, AND BEAMS/CONTINUED

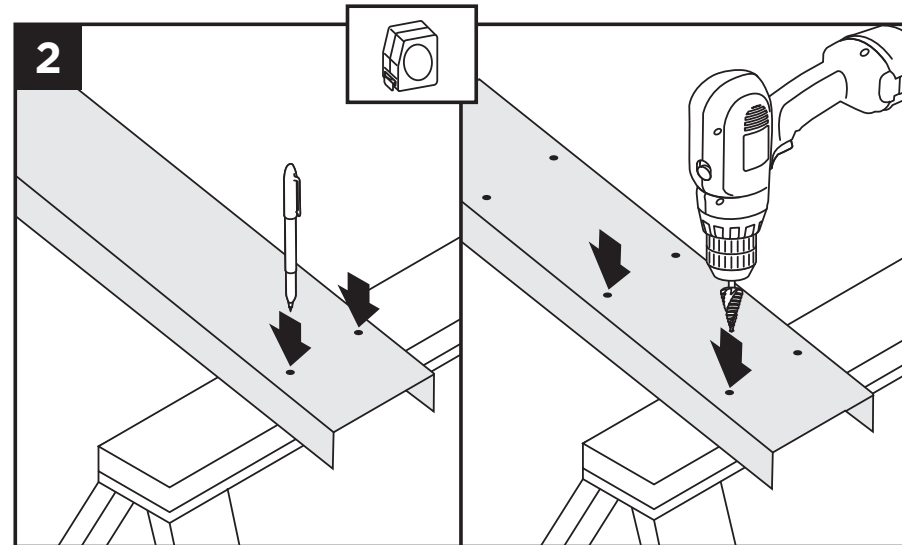
Installing Piers and Posts

1. Install the post as required by local code.
Check with your local building code inspector for requirements.

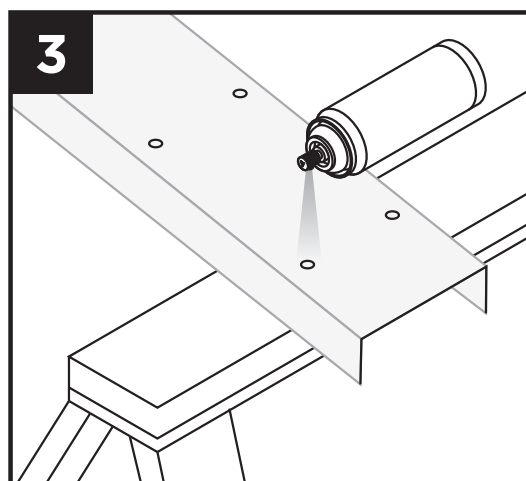
Installing Track/Ledger

2. Before installing the track, mark the track where each joist will be positioned. Joist spacing requirements are determined by local building codes and decking manufacturer and are not to exceed 16" (40.6 cm) on center. Pre-drill the holes for lag bolts using a step bit repetitively while the track is on sawhorses.

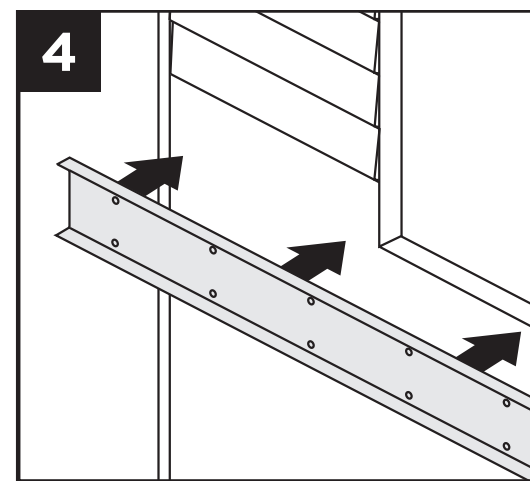
NOTE: See pages 41 for fastener type and placement details.



3. Spray each drilled hole and ends of track with NCS touch-up paint.

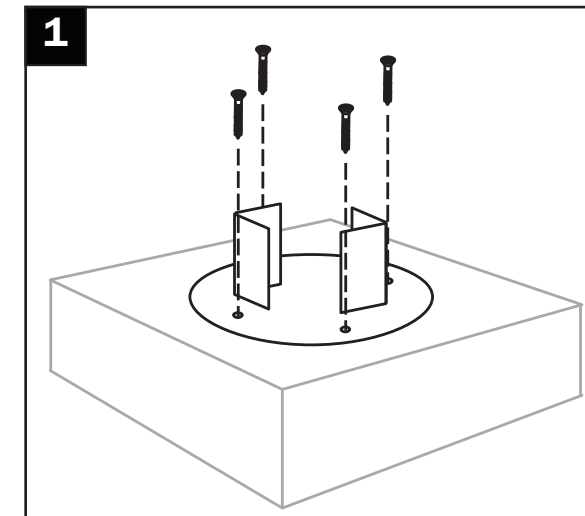


4. Secure track to the structure using approved methods of attachment. Consult a structural engineer or local building code official for proper water management details.

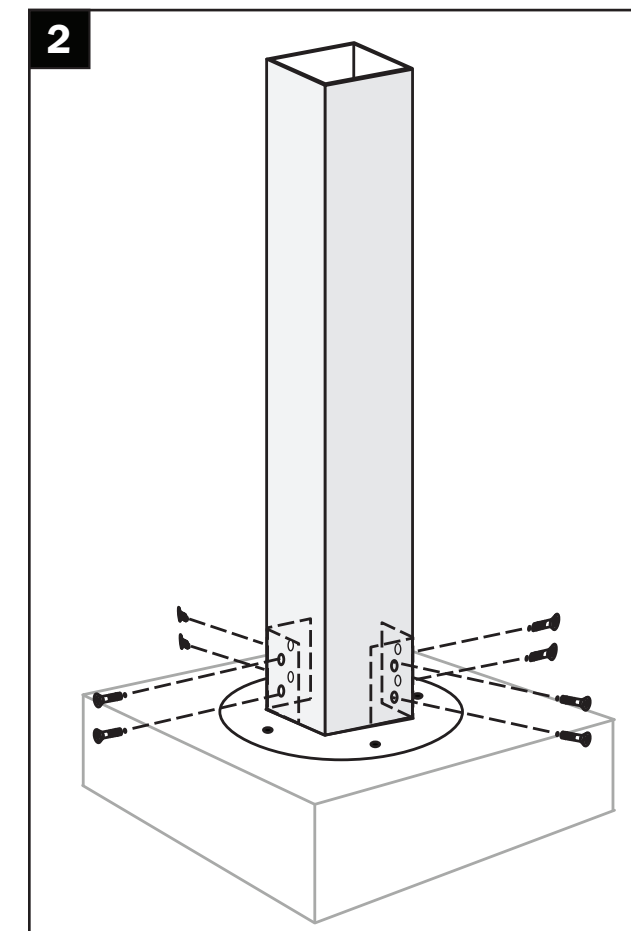


INSTALLING PIERS, POSTS, TRACK/LEDGER, AND BEAMS/CONTINUED

1. Install post base to footing using 4) 1/2" x 6" anchors

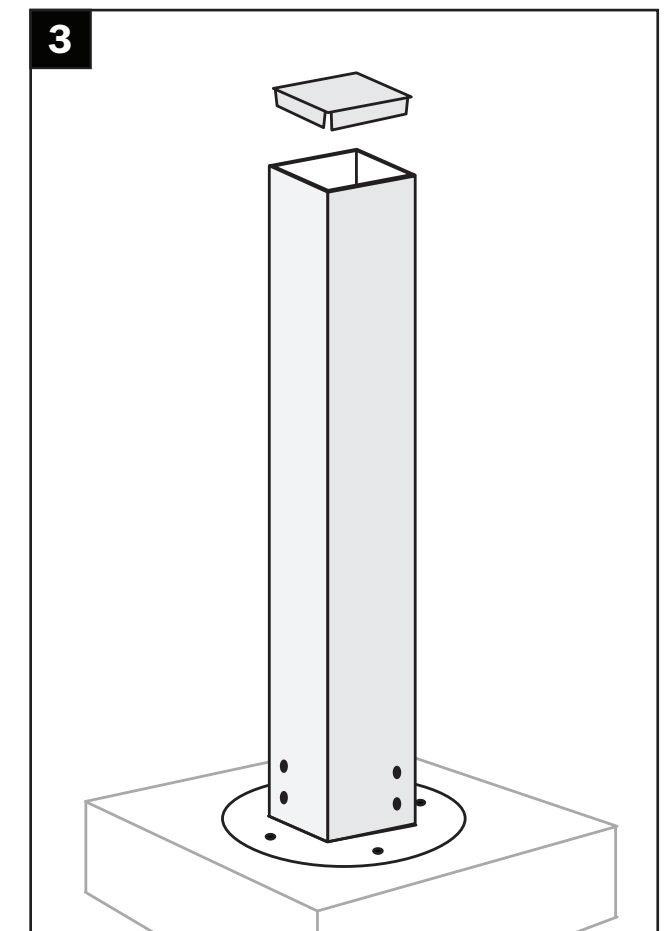


2. Install post cut to desired length, over post base.



- 2A. Pre-drill 2 holes each side through post and post base with a 3/16" drill bit. Holes should be placed center line of post. 1 1/2" and 5" from base.

Install provided 1/4 x 1 1/8" screws into holes making sure not to over tighten.

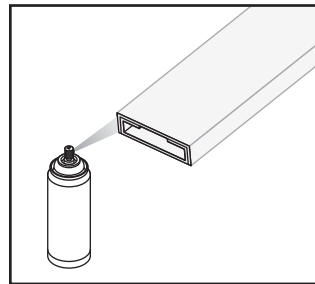


3. Secure post cap with exterior grade sealant.



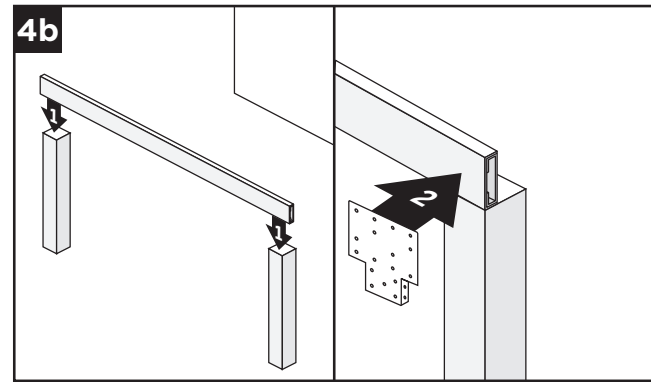
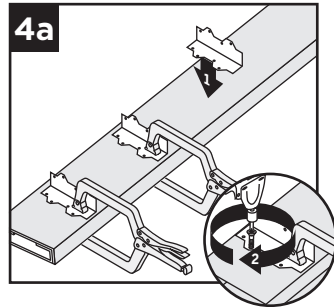
Installing Beams

NOTE: Paint all ends of beams and track/ledger plates with NCS touch-up paint.



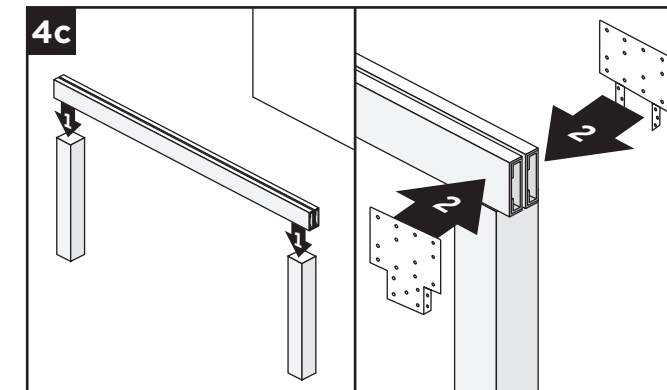
**Option 1:
Flush Beam Scenario -**

4a. Attach 16 Ga. angle brackets (L70Z or LS70Z) using required fasteners to beam where joists will be joined. Use C-channel vice grips to clamp brackets in place. See *Required Fasteners chart on page 6, column A, for approved metal-to-metal fasteners for attaching brackets to beam.*



4b. Attach beam to post using NCS front beam bracket with required fasteners. See *Required Fasteners chart on page 6, column A, for approved metal-to-metal fasteners for attaching brackets to beam.*

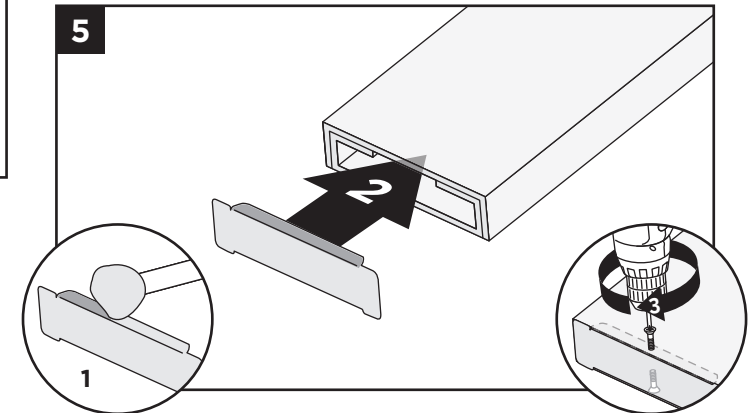
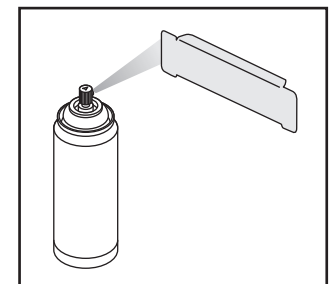
**Option 2:
Drop Beam Scenario -**



4d. Attach beam to post using NCS front and back beam brackets and required fasteners. See *Required Fasteners chart on page 6, column A, for approved metal-to-metal fasteners for attaching brackets to beam.*

**(Optional)
End Cap Attachment**

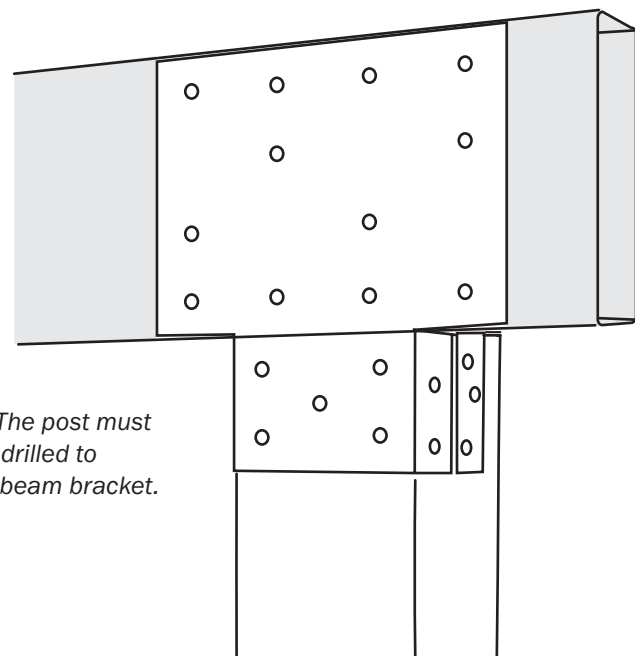
NOTE: Paint end cap with NCS touch-up paint



5. Secure cap with exterior grade metal adhesive and/or #10 x 3/4" (1.9 cm) self-tapping screws.

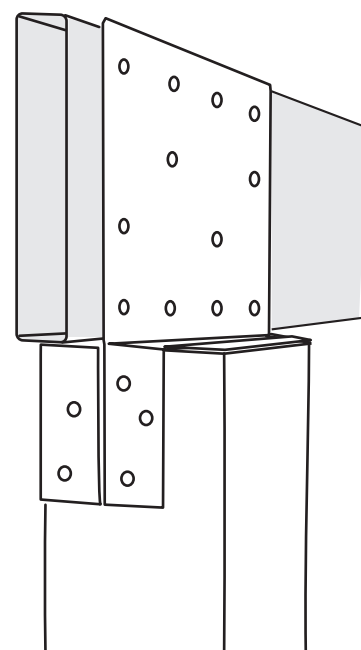
Note: Refer to page 61-62 for beam assembly options.

NCS Front Beam Bracket



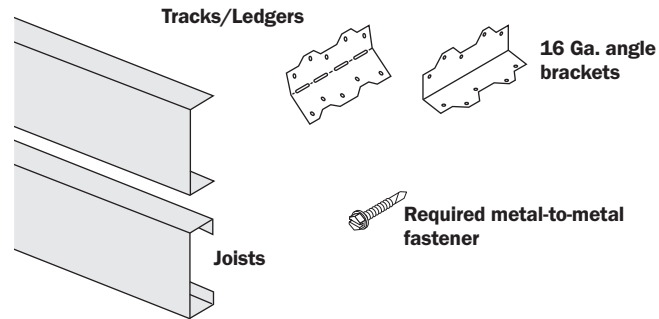
NOTE: The post must be pre-drilled to attach beam bracket.

NCS Back Beam Bracket



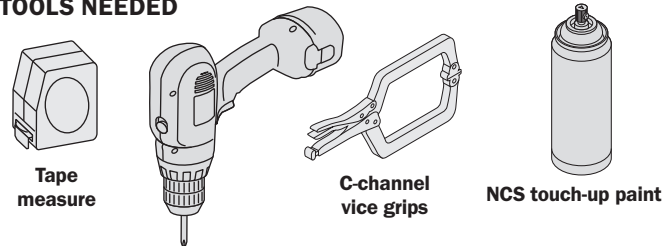
INSTALLING RIM JOISTS, JOISTS, RIM PLATES, AND JOIST BLOCKING

PARTS



NOTE: See page 6 for detailed description of required fasteners and brackets.

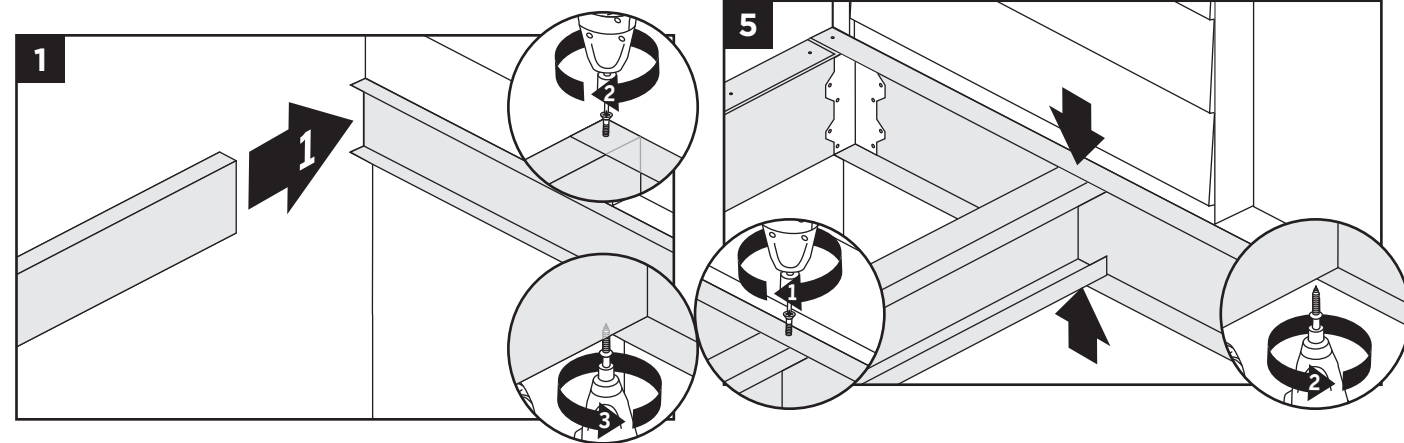
TOOLS NEEDED



Drill with adjustable clutch and torque with speed range of 0-2,500 max.

NOTE: Paint all ends of rim joists, joists, front plates, and blocking with NCS touch-up paint.

Installing Rim Joists Assembly



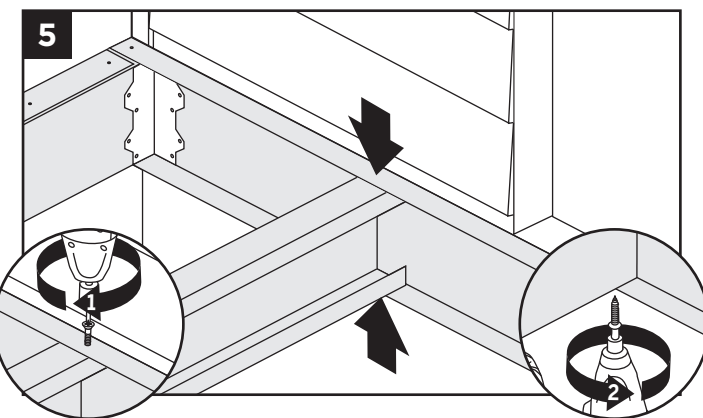
1. Slide the joist within the flanges of the track and rest the outer end on the support post or beam. Fasten joist to track using required fasteners. See *Required Fasteners chart on page 6, column A*. Fasten through the track flange into the joist on top and bottom.

2. Fasten joist to track with recommended 16 Ga. angle bracket (L70Z or LS70Z) using required fasteners. See *Required Fasteners chart on page 6, column A*. Use C-channel vice grips to help secure the angled bracket.

3. Notch outer rim track to allow for fit over end of ledger. Attach outer rim track with metal-to-metal screws (see *Required Fasteners chart on page 6, column A*) every 12" (30.5 cm) top and bottom.

Installing Inner Joists

4. Position joist within track flange, spaced according to approved joist spacing.



5. Fasten top and bottom of joist and track. Screw joist to track from above and below with required fasteners. See *Required Fasteners chart on page 6, column A*.

INSTALLING RIM JOISTS, JOISTS, RIM PLATES, AND JOIST BLOCKING/ CONTINUED

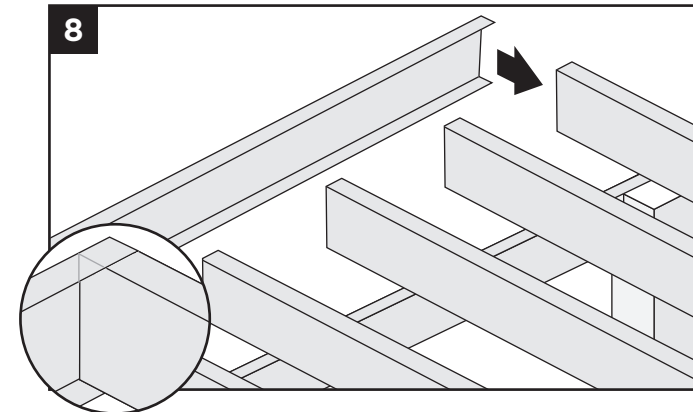
6. Attach joist to track with recommended 16 Ga. angle bracket (L70Z or LS70Z) using required fasteners. See *Required Fasteners chart on page 6, column A*. Repeat Steps 3-5 for remaining joists.

Option 1: Flush Beam Scenario

7a. Fasten joist to beam using recommended 16 Ga. angle brackets already attached.

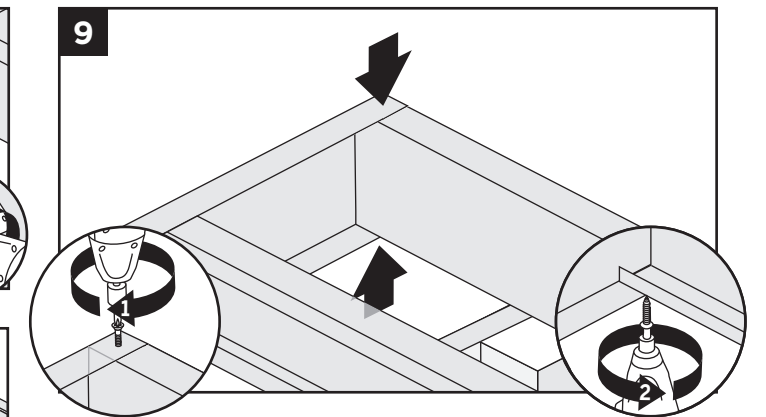
Option 2: Drop Beam Scenario

7b. Rest joist on dropped beam. Attach using required fasteners through bottom of joist and into top of beam. See *Required Fasteners chart on page 6, column A*.

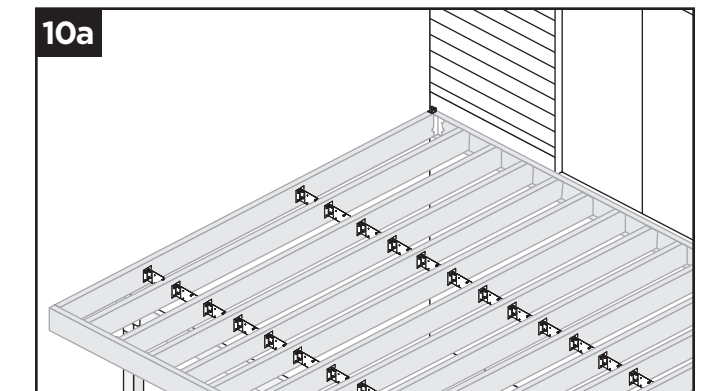


Installing Rim Plate and Joist Blocking (Drop Beam Scenario Only)

8. Position track as a rim plate. Fit existing joists within the flanges of the track.



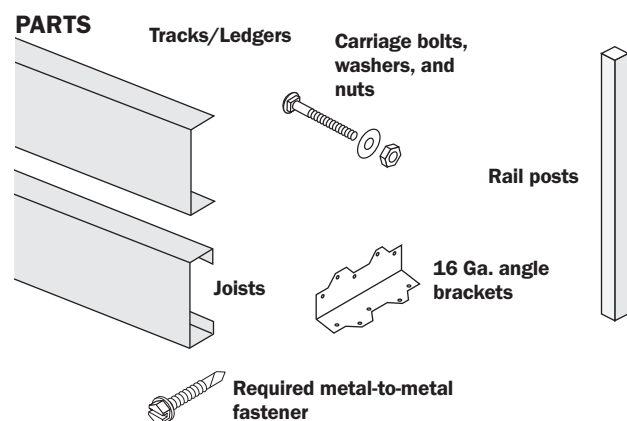
9. Attach track to joists by screwing track to joists in the corners on the top and bottom using required fasteners. See *Required Fasteners chart on page 6, column A*.



Installing Blocking

10a. For joist spans greater than 8' (2.49 m), blocking is required midspan in every bay.

INSTALLING RAIL POSTS



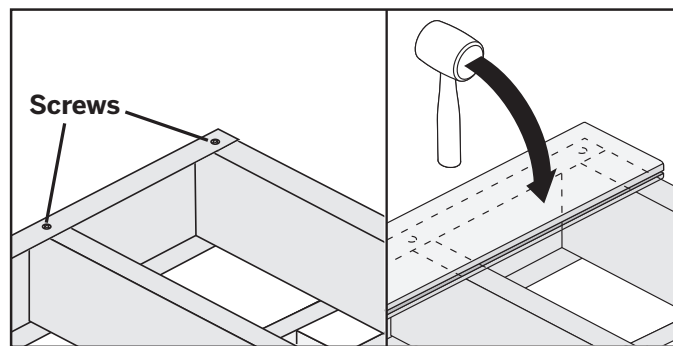
Installing Posts:

THERE ARE THREE CODE APPROVED METHODS FOR ATTACHMENT OF RAIL POSTS. YOU MUST REFER TO THE CRITICAL CONNECTIONS SECTION, RAIL POST INSTALLATION SCENARIOS FOR DETAILS ON HOW THIS IS DONE. See pages 44-46.

NOTE: See page 6 for detailed description of required fasteners and brackets.

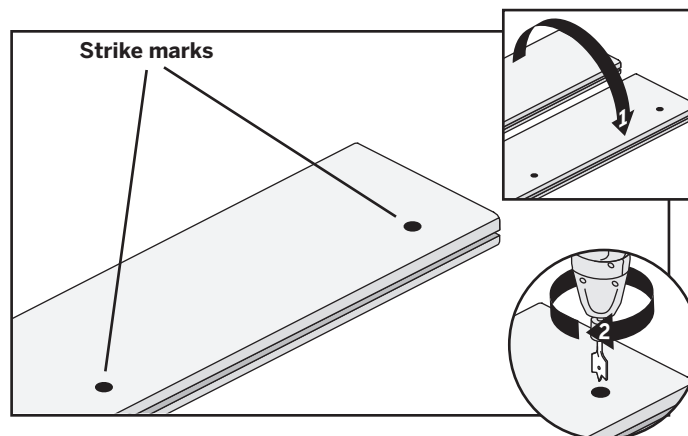
HOW TO INSTALL DECK BOARDS

Tips on Installing Deck Board over Screws on Ledger/ Front Plate



Tip 1:

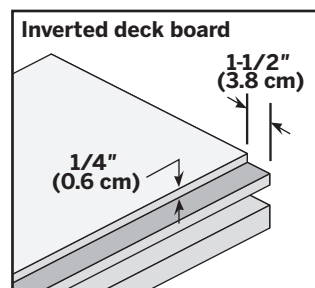
1. Place deck boards in proper location over end joist fasteners. Use a rubber mallet on top of deck board in order to mark underside of decking where screws may have caused the deck board to stick up.



2. Flip board over so that bottom of board faces up and shows strike marks from the screws. Using a paddle drill bit, carefully drill holes to the depth of the fastener heads in the joist. Flip board over so that drilled holes fit over joist fasteners, and fasten board per instructions.

Tip 2:

- Cut out groove (1-1/2" [3.8 cm] wide x 1/4" [0.6 cm] height) on underside of decking to allow for clearance of screws.

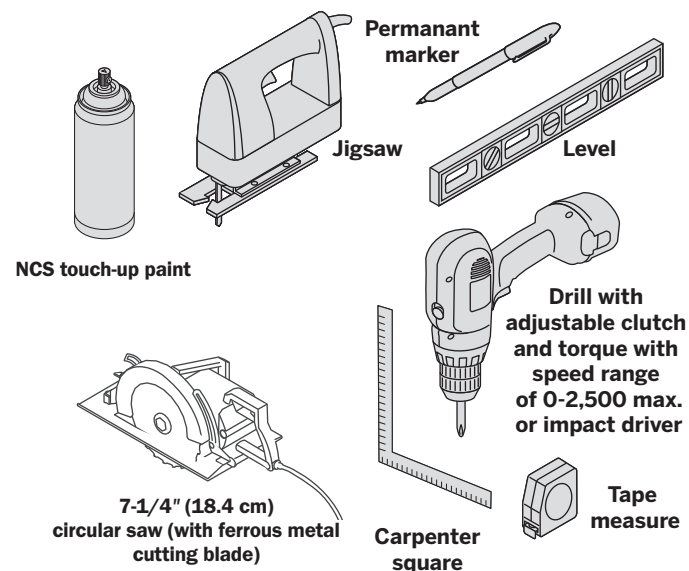
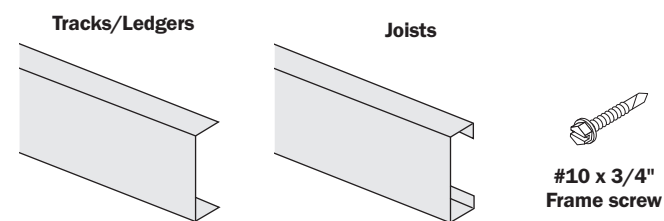


NOTE: Reference decking manufacturer installation instructions for more details in regards to proper gapping, etc.

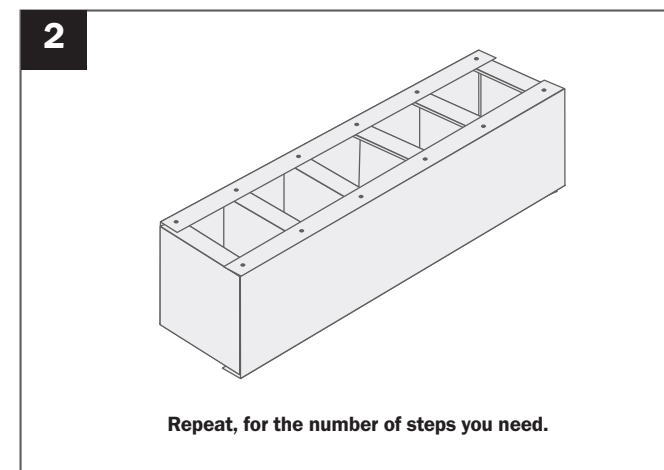
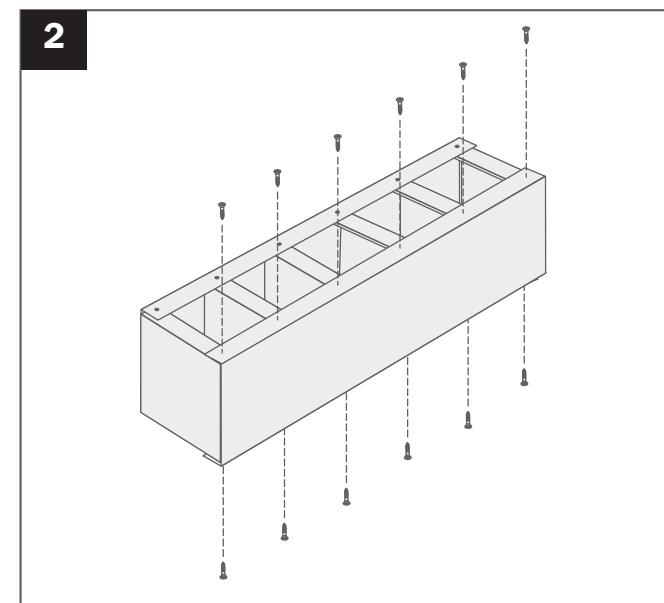
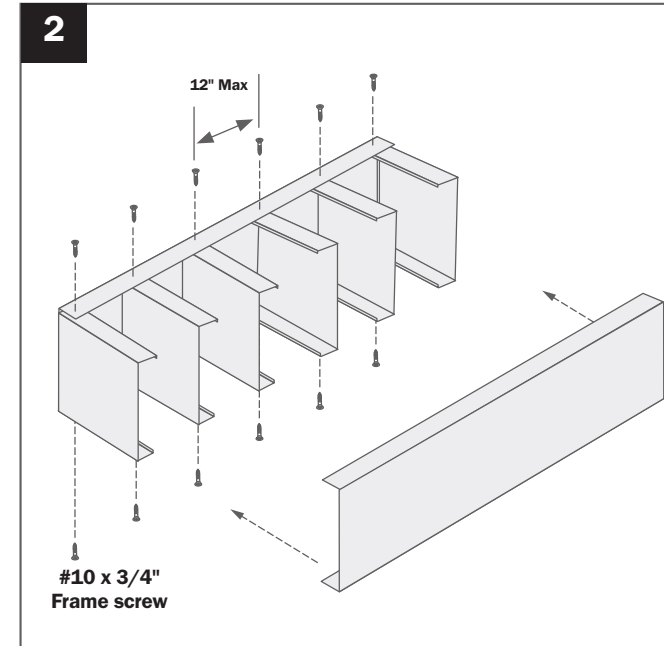
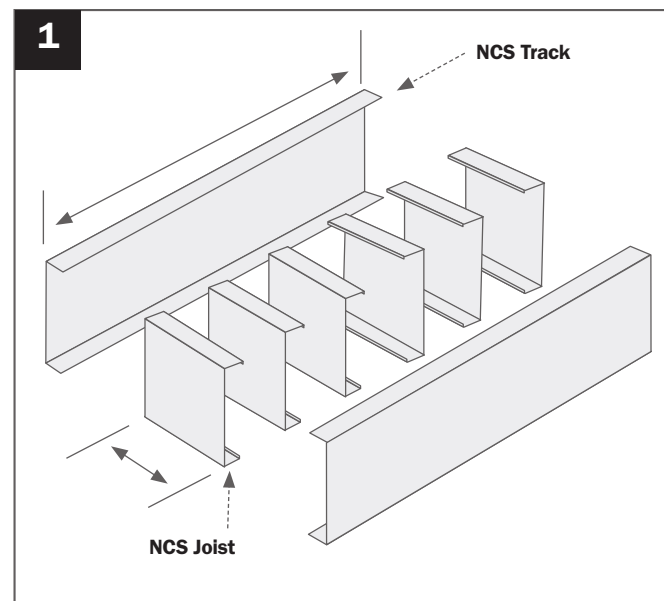
WARNING

DO NOT walk or stand on top of New Castle Steel joists prior to installing deck boards.

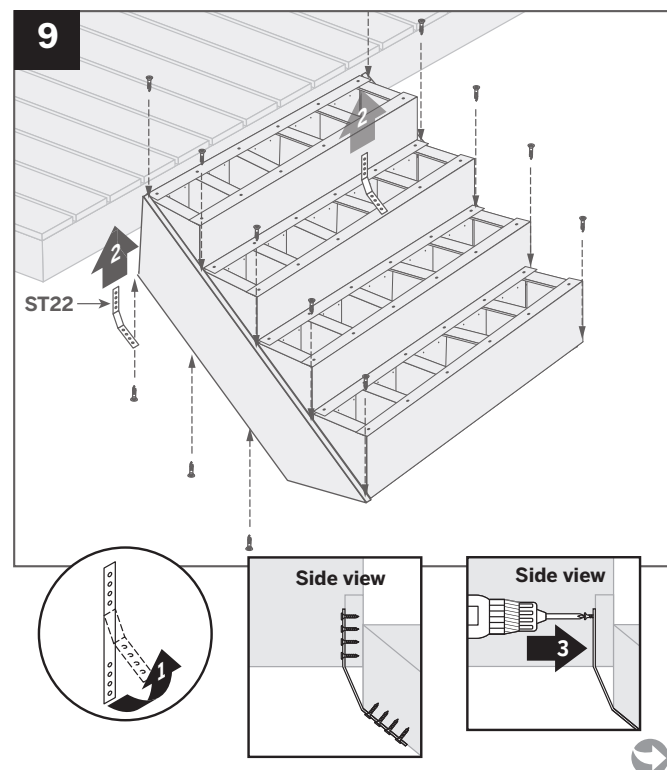
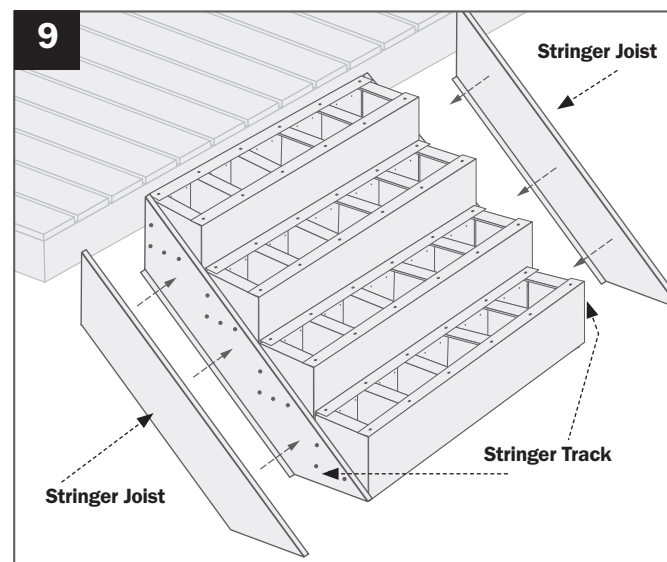
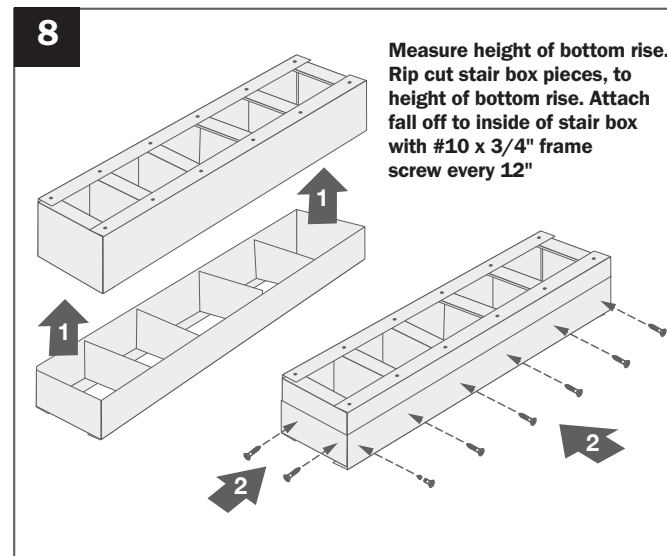
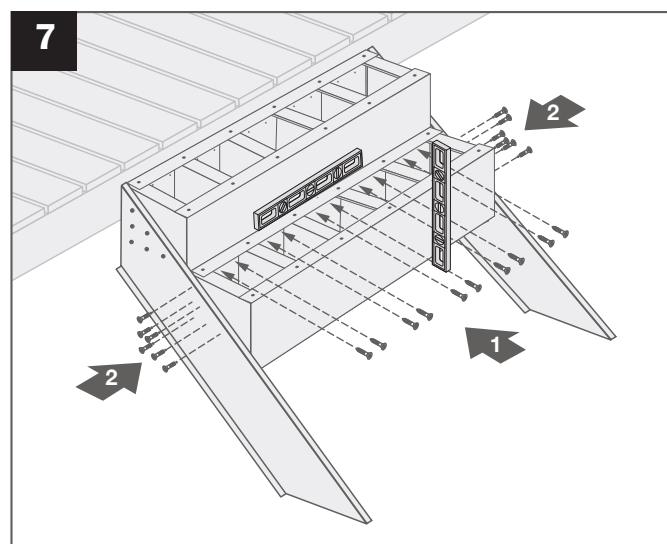
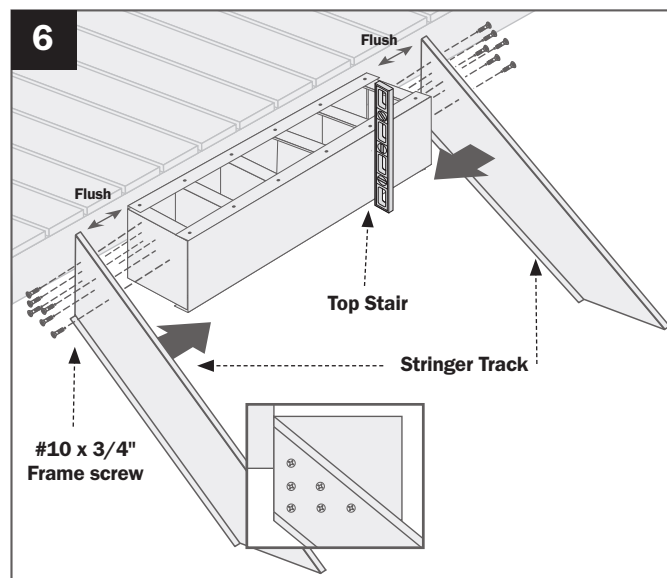
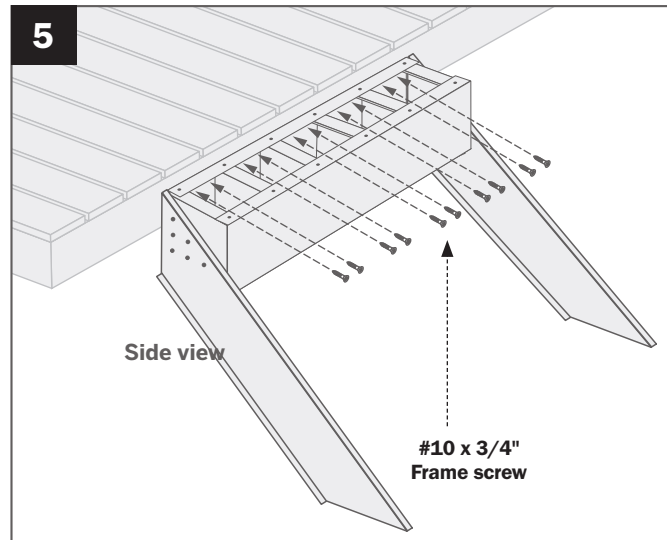
HOW TO INSTALL STAIRS



STEPS 1 - 4, BUILD A LADDER BOX STEP

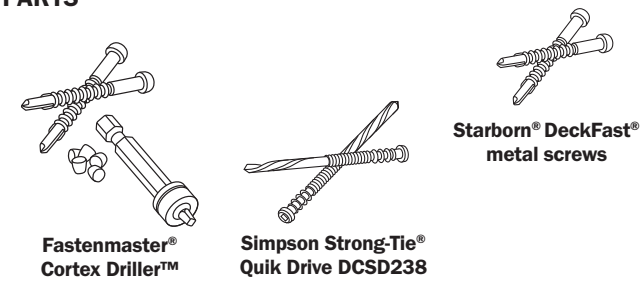


HOW TO INSTALL STAIRS/CONTINUED



HOW TO INSTALL DECK BOARDS AND FASCIA ON STAIRS

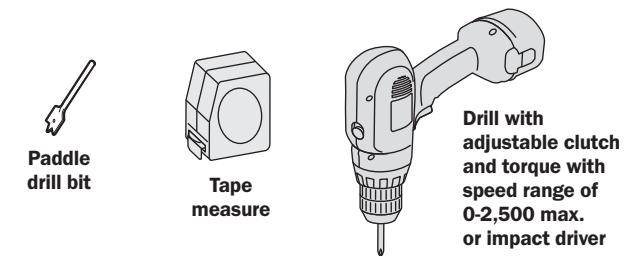
PARTS



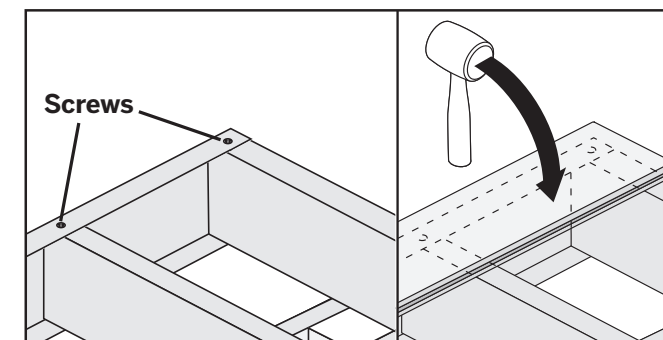
NOTES:

- » Use of hidden fasteners is not recommended for stair installations, thus use square edge boards for proper installation.
- » Stair treads built with NCS meet requirements by major building codes. Consult your local municipality for specific requirements and what your area will allow.

TOOLS NEEDED

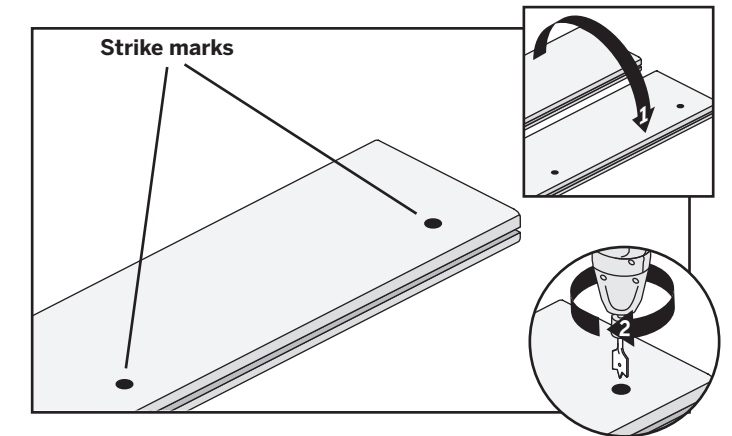


Tip on Installing Deck Board over Screws on Stair



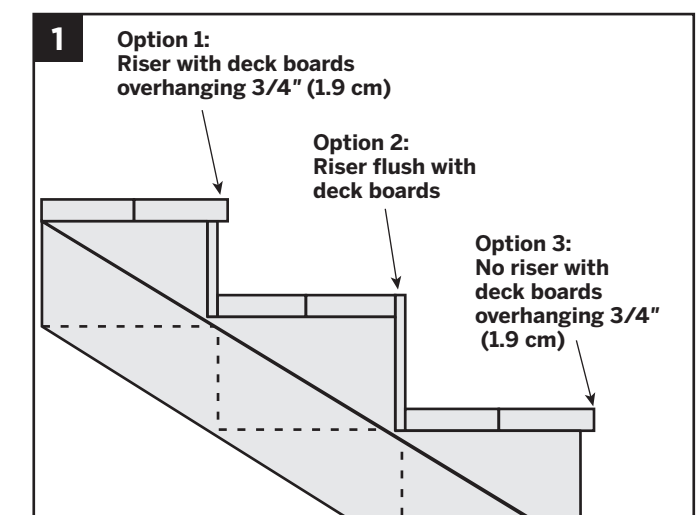
Sections

1. Place deck boards in proper location over end joist fasteners. Use a rubber mallet on top of deck board in order to mark underside of decking where screws may have caused the deck board to stick up.

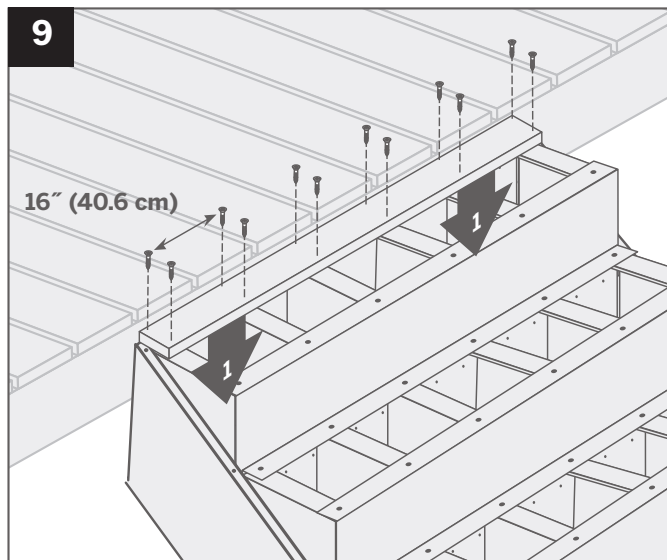


2. Flip board over so that bottom of board faces up and shows strike marks from the screws. Using a paddle drill bit, carefully drill holes to the depth of the fastener heads in the joist. Flip board over so that drilled holes fit over joist fasteners, and fasten board per instructions.

Deck Board Installation Options



1. Install the deck boards as required by local code. Check with your local building code inspector for requirements.

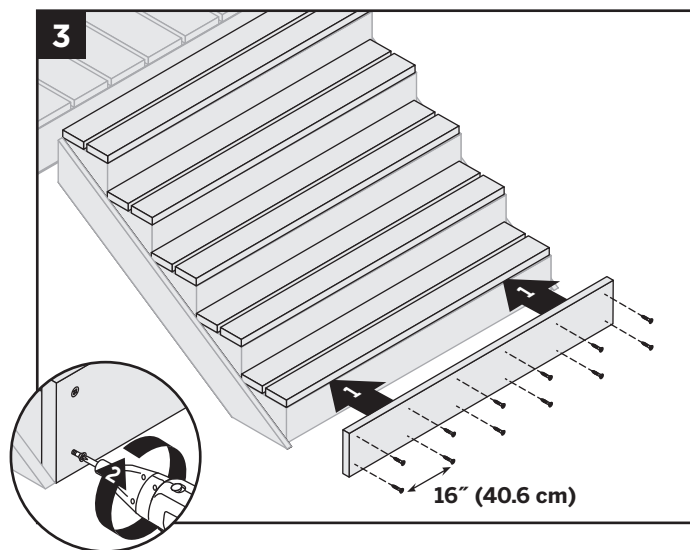


Installing Deck Boards

2. Fasten deck boards by screwing recommended decking with metal fasteners through the decking into the stair framing. Two fasteners are required every 16" (40.6 cm). See *Required Fasteners chart on page 6, column B*.

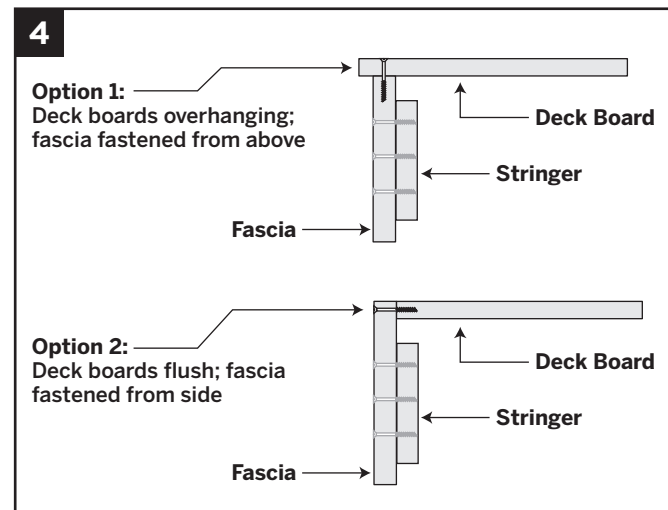
Installing Risers

3. Fasten riser boards by screwing recommended decking with metal fasteners through the decking into the stair framing. Two fasteners are required every 16" (40.6 cm). See *Required Fasteners chart on page 6, column B*.



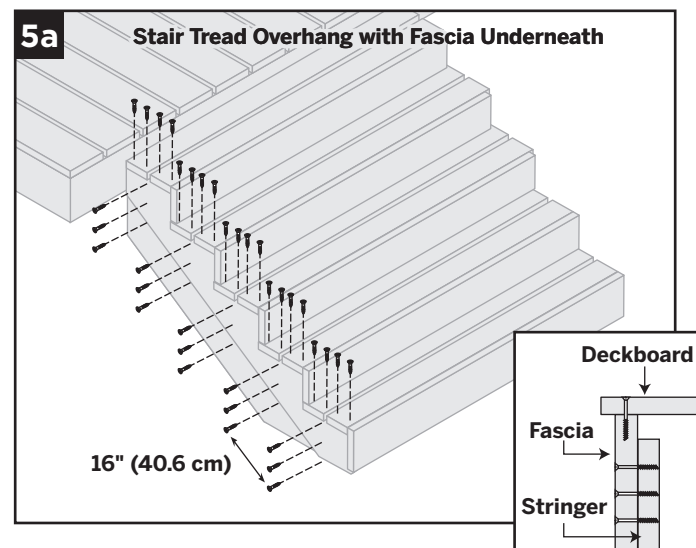
Fascia Installation Options

4. Install the fascia in one of two ways. If deck boards are overhanging, fasten fascia from above. If deck boards are flush with fascia, fasten fascia from the side.

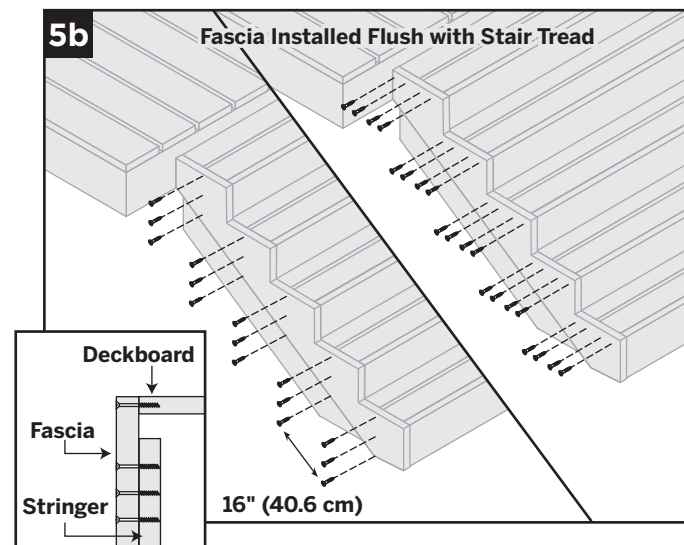


Installing Fascia

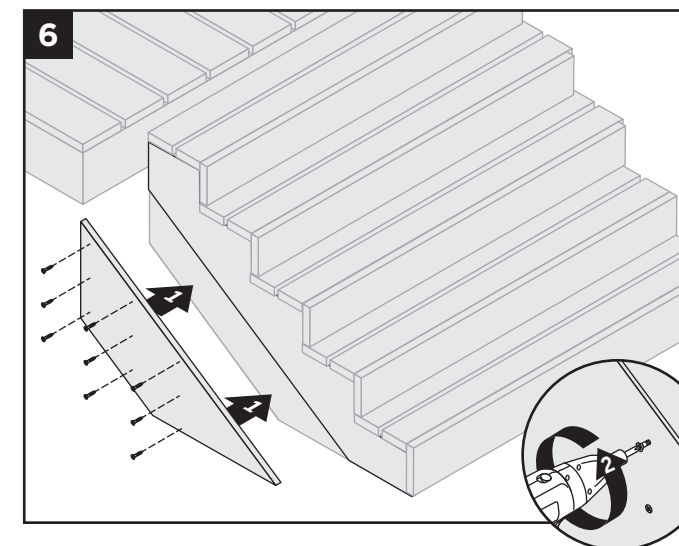
5a. Fasten fascia boards to deck boards from above and side as shown. Three fasteners are required every 16" (40.6 cm) for fascia into stringer and two are required per each deck board stair tread into fascia. See *Required Fasteners chart on page 6, column B*.



HOW TO INSTALL DECK BOARDS AND FASCIA ON STAIRS/CONTINUED



5b. Fasten fascia boards to deck boards from the side as shown. Three fasteners are required every 16" (40.6 cm) for fascia into stringer and two are required to attach fascia into each deck board. See *Required Fasteners chart on page 6, column B*.

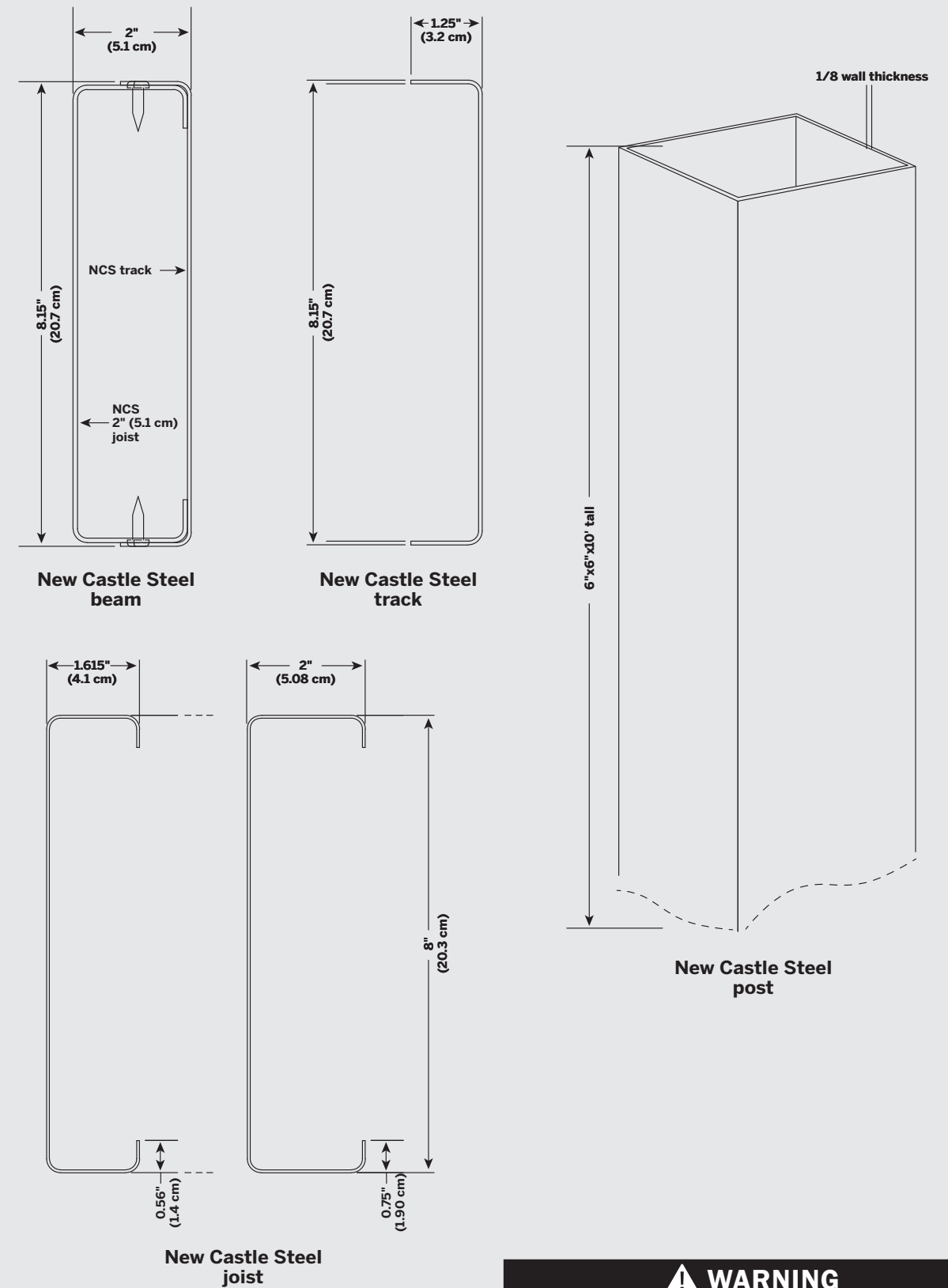


6. Fasten second fascia board (two 1x8 fascia boards are needed in most cases, as one fascia board will not cover stringers) to stair framing by screwing recommended decking with metal fasteners into the stair framing. Number of screws used would depend on width of fascia, if full 1x8 is used, three screws would be required. See *Required Fasteners chart on page 6, column B*.



DETAILED DRAWINGS

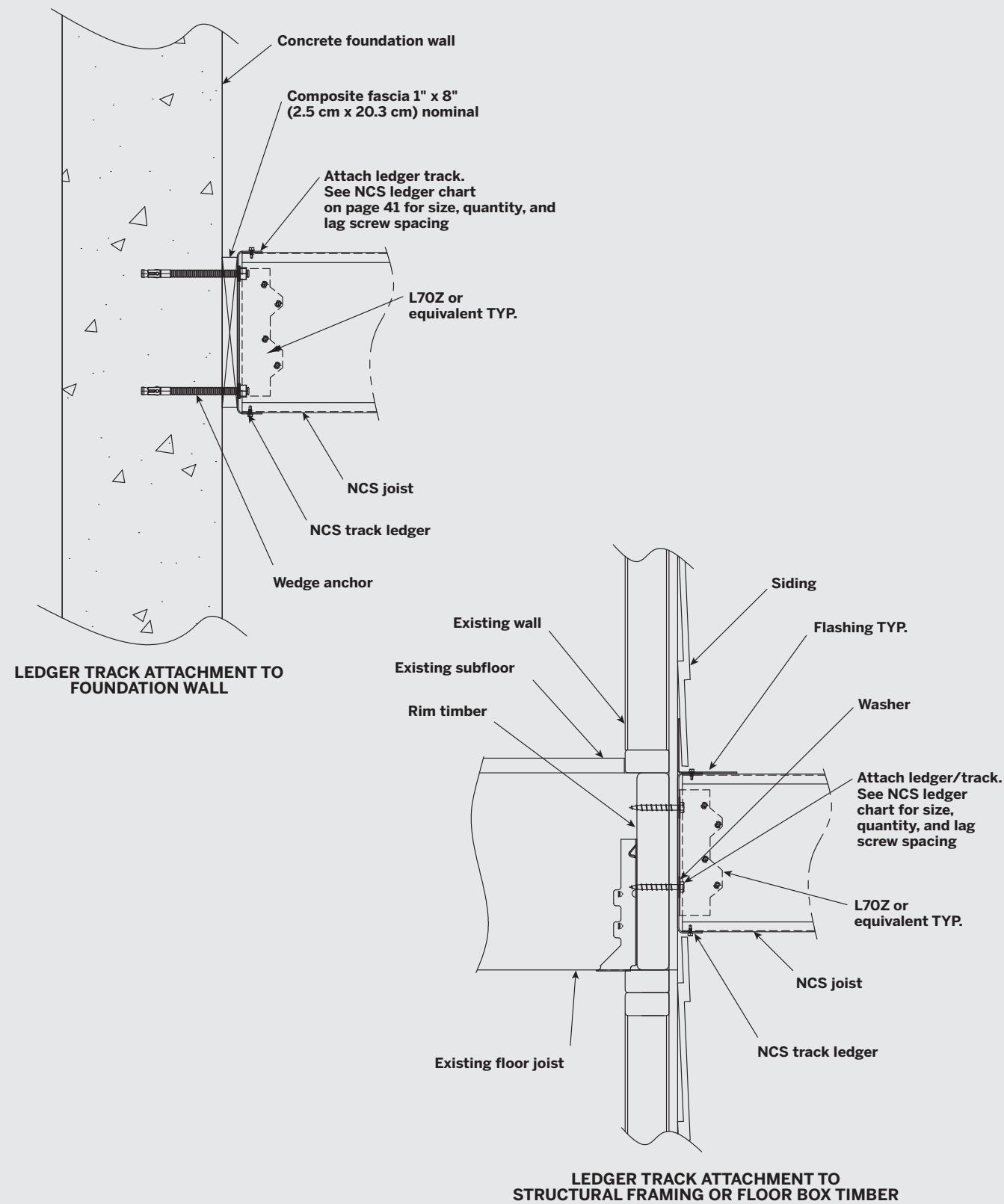
GENERAL FRAMING DETAIL – NOMINAL



⚠ WARNING

When building with New Castle Steel always wear protective gear and refer to your local building codes for approved methods of construction.

TYP. LEDGER CONNECTIONS

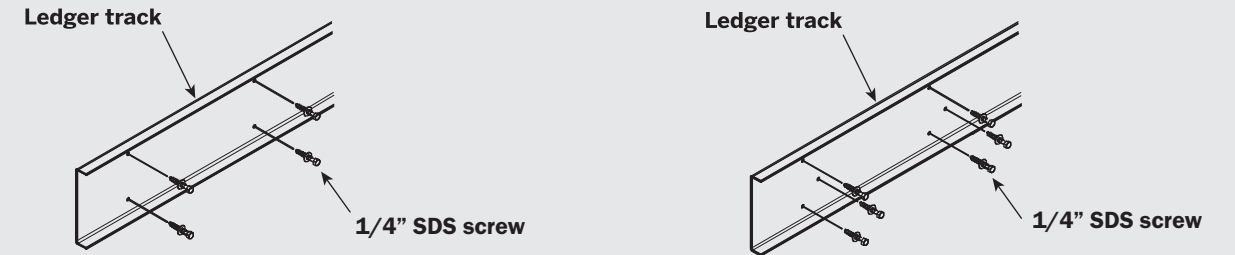


⚠ WARNING

When building with New Castle Steel always wear protective gear and refer to your local building codes for approved methods of construction.

TYP. LEDGER CONNECTIONS/CONTINUED

- Simpson Strong-Tie SDS25200 screws (i.e. 1/4" diameter by 2" long) with double-barrier coating are used to connect the steel ledger to the wood rim plate of the structure.
- Wood rim plate is assumed to be 1-1/2" (3.8 cm) thick and from southern pine (specify gravity of 0.55)
- Exterior wall sheathing shall be a maximum of 1/2" plywood or OSB. Sheathing shall be independently fastened to rim plate.
- 5" (12.7 cm) end spacing is required from two ends of the wood rim plate.
- Two or three rows of fasteners are considered (see below).
- 1-1/2" (3.8 cm) minimum edge distance from the top and bottom fasteners to the edge of the wood rim plate is required.
- When two rows of SDS2500 screws are used, minimum vertical distance of 4" (10.2 cm) between the rows of fasteners is required.
- When three rows of SDS2500 screws are used, minimum vertical distance of 2" (5.1 cm) between the rows of fasteners is required. Middle row of screws shall be offset horizontally from the top and bottom rows of screws by 1 1/2" (i.e staggered, see below).
- "Combined Load" represents total allowable load (ASD). Refer to your local jurisdiction for loading requirements.
- There shall be no air gap between steel track ledger and wood sheathing or rim plate (as applicable).
- For additional technical information on the SDS screw please visit www.strongtie.com



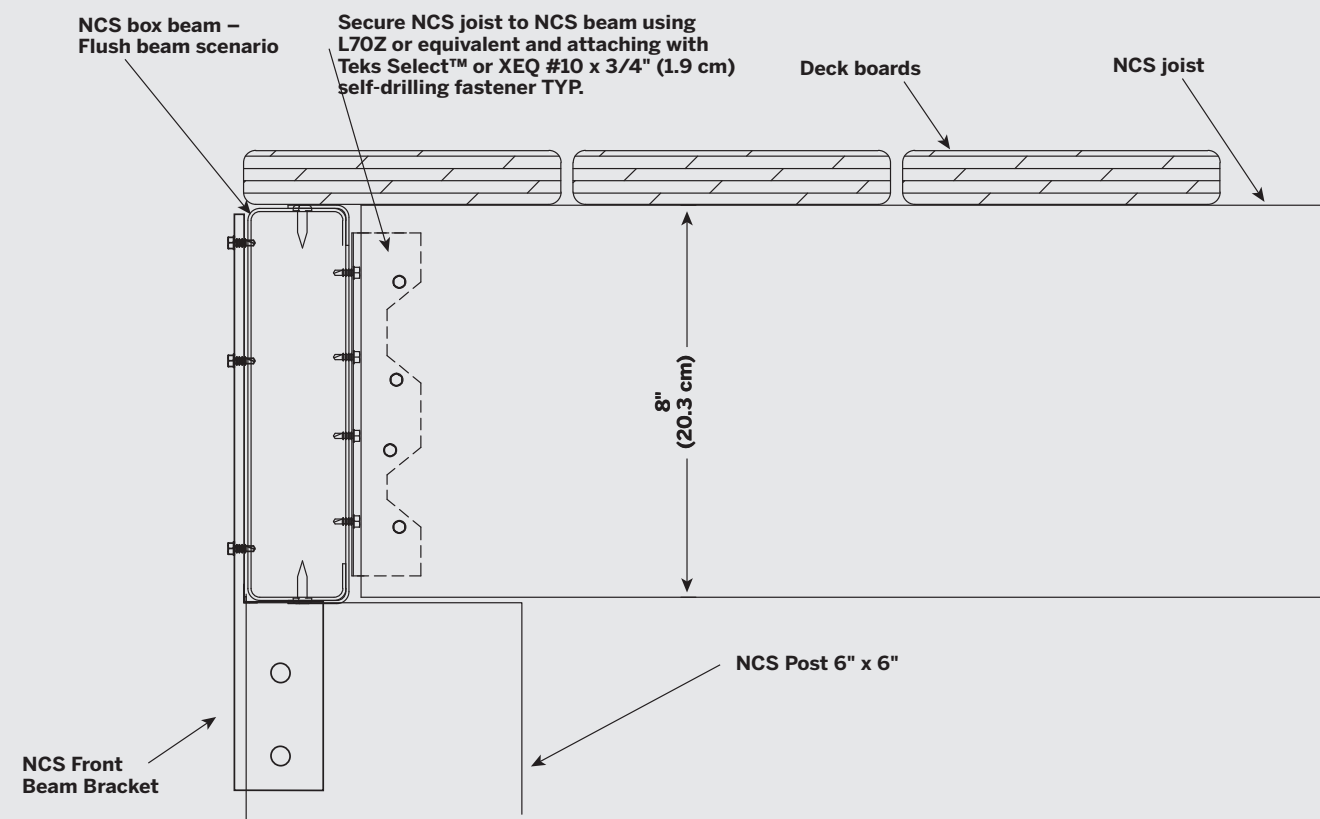
TWO SCREW ATTACHMENT

COMBINED LOAD	Max Deck Joist Span								
	Up to 6 ft.	Up to 8 ft.	Up to 10 ft.	Up to 12 ft.	Up to 14 ft.	Up to 16 ft.	Up to 18 ft.	Up to 20 ft.	Up to 22 ft.
	Max on-center spacing of SDS25200 (inches)								
50 psf	24	24	22	18	16	14	12	11	10
75 psf	24	18	15	12	10	9	8	7	6
100 psf	18	14	11	9	8	7	6	5	5
125 psf	15	11	9	7	6	5	5	4	4
150 psf	12	9	7	6	5	4	4	3	3
200 psf	9	7	5	4	4	3	3	2	2

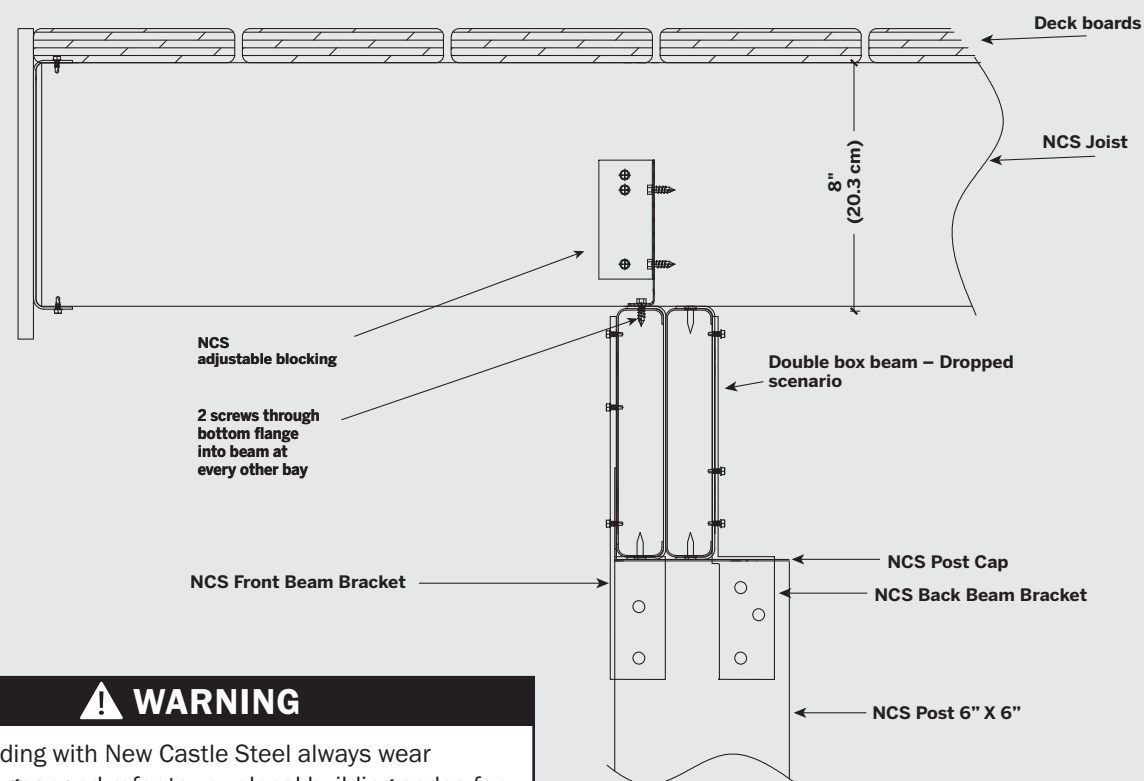
THREE SCREW ATTACHMENT

COMBINED LOAD	Max Deck Joist Span								
	Up to 6 ft.	Up to 8 ft.	Up to 10 ft.	Up to 12 ft.	Up to 14 ft.	Up to 16 ft.	Up to 18 ft.	Up to 20 ft.	Up to 22 ft.
	Max on-center spacing of SDS25200 (inches)								
50 psf	24	24	24	24	24	21	18	16	15
75 psf	24	24	22	18	16	14	12	11	10
100 psf	24	21	16	14	12	10	9	8	7
125 psf	22	16	13	11	9	8	7	6	6
150 psf	18	14	11	9	8	7	6	5	5
200 psf	14	10	8	7	6	5	4	4	3

FLUSH BEAM ATTACHMENT SCENARIO



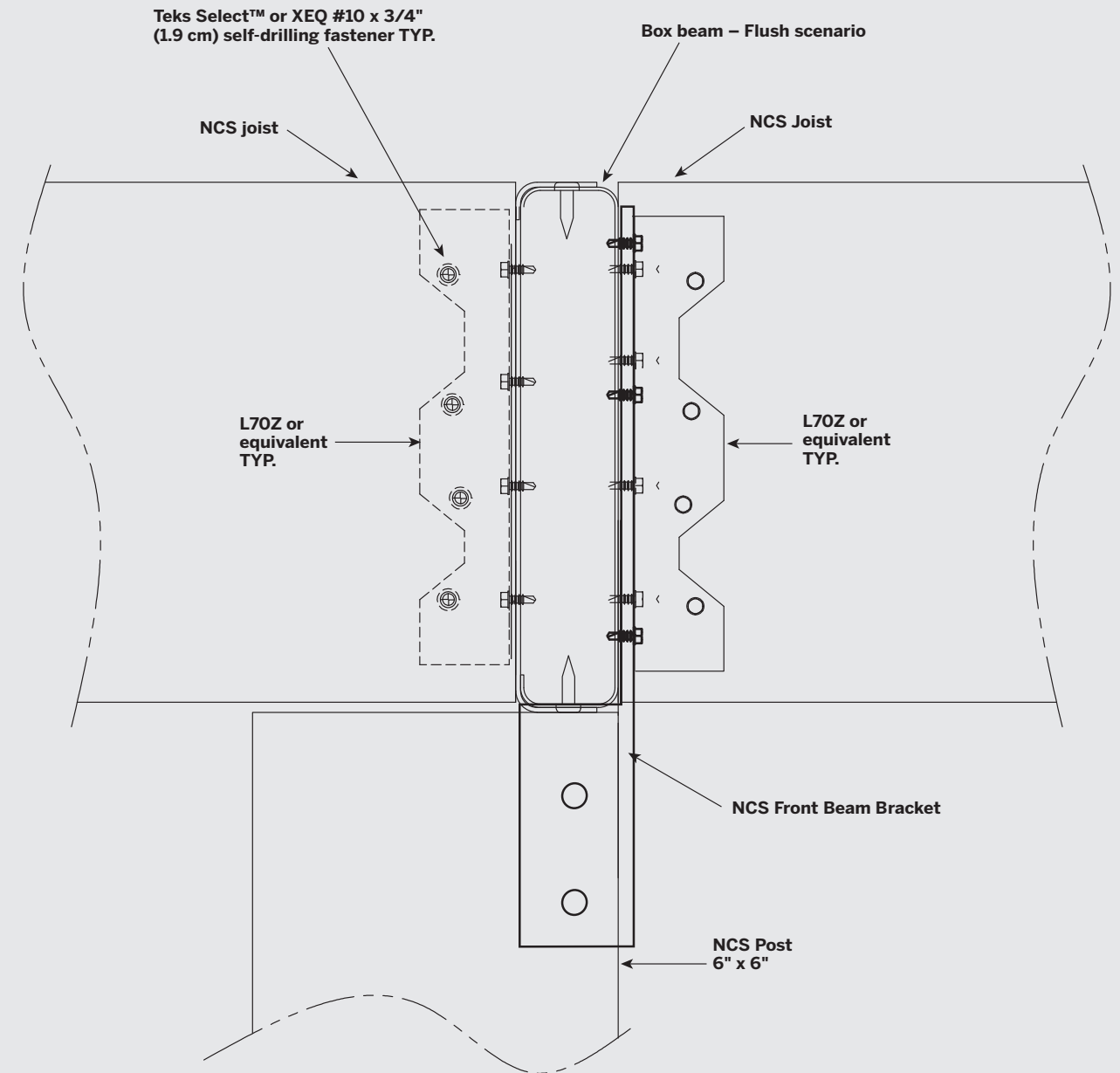
DROPPED BOX BEAM ATTACHMENT SCENARIO



⚠ WARNING

When building with New Castle Steel always wear protective gear and refer to your local building codes for approved methods of construction.

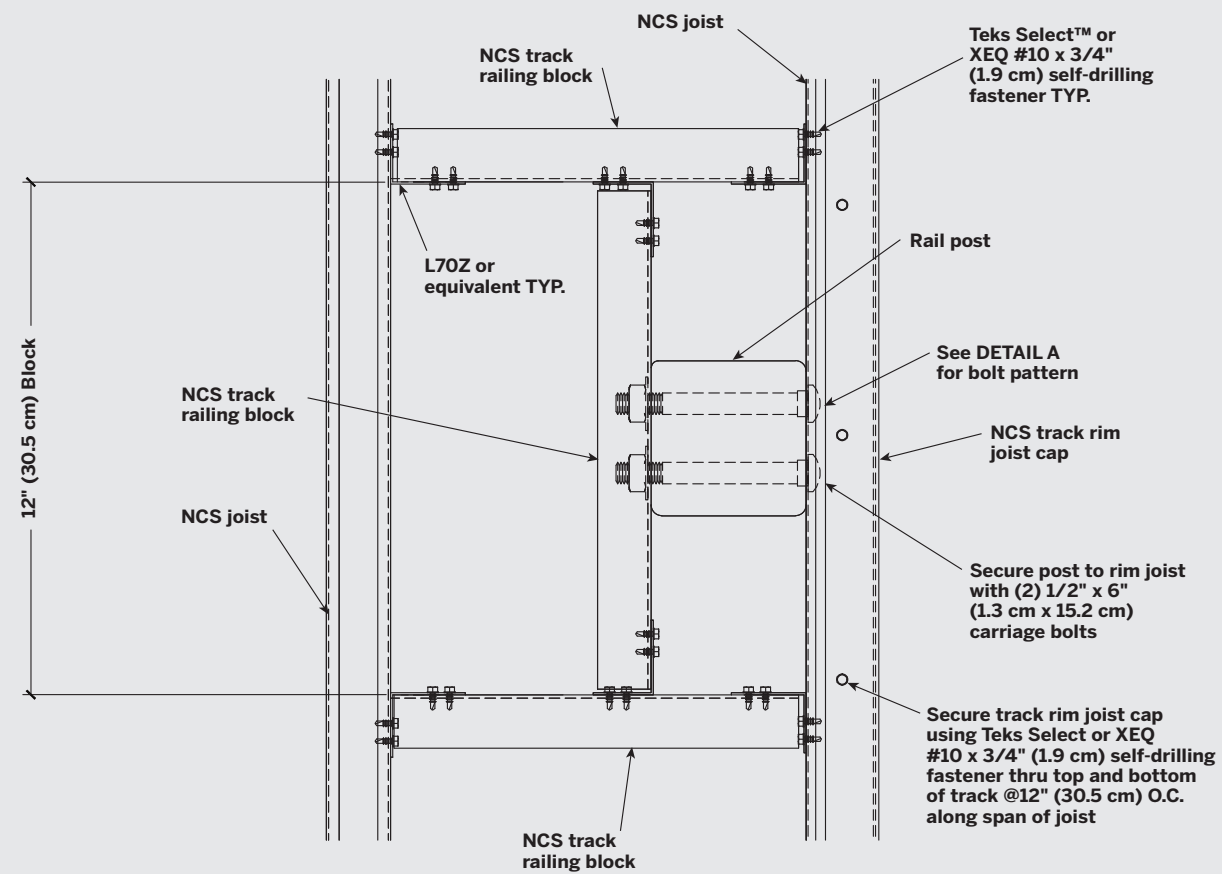
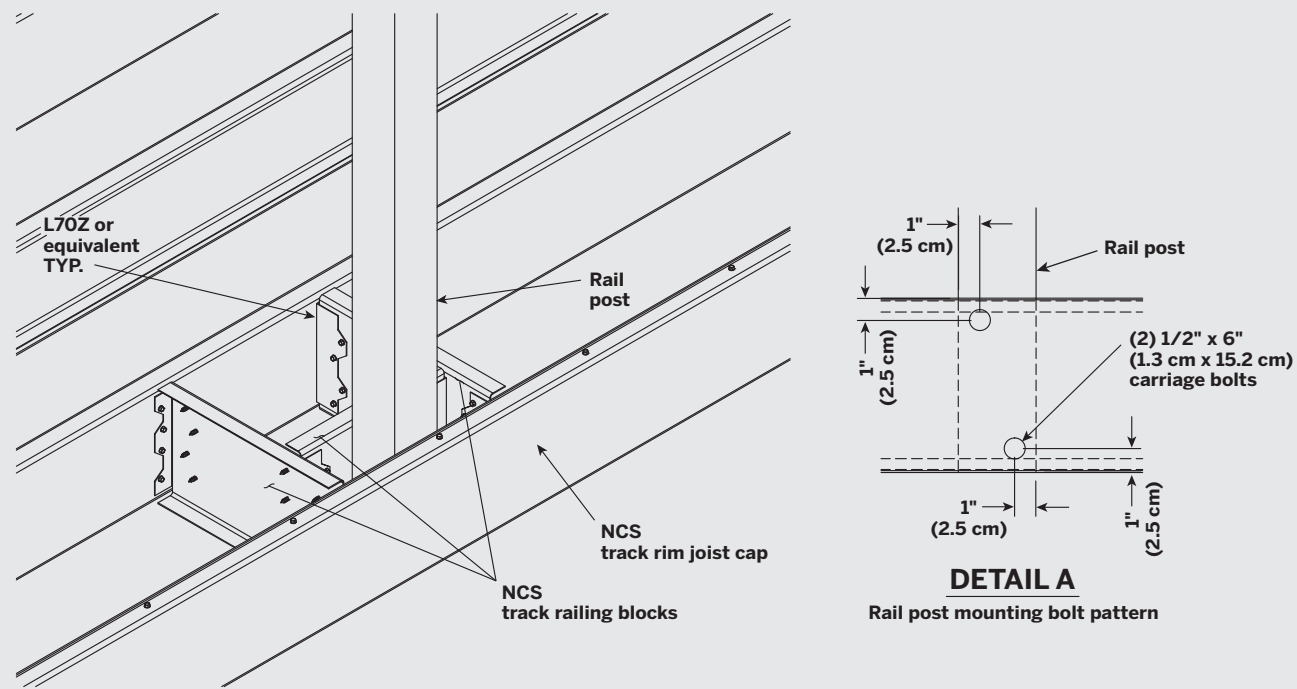
JOIST ATTACHMENT – SHARING FLUSH BEAM SCENARIO



⚠ WARNING

When building with New Castle Steel always wear protective gear and refer to your local building codes for approved methods of construction.

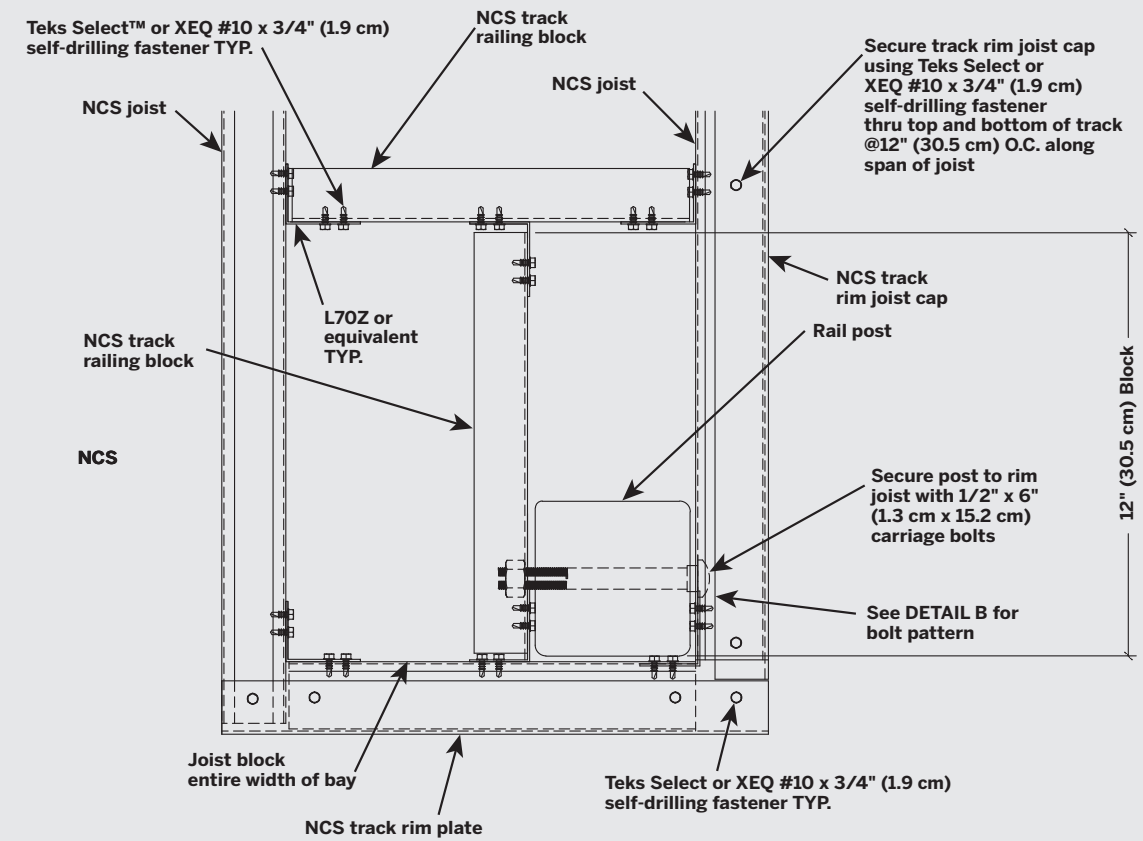
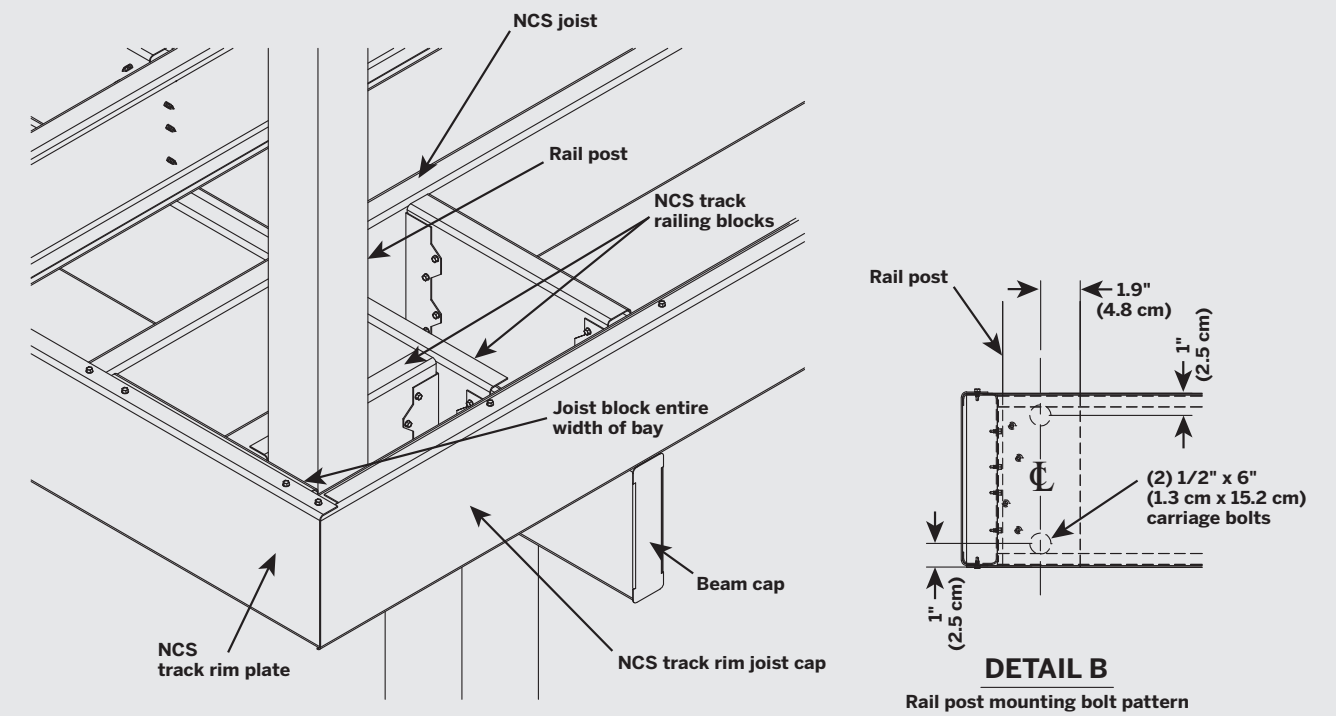
INSIDE RAIL POST ATTACHMENT AT RIM JOIST



⚠ WARNING

When building with New Castle Steel always wear protective gear and refer to your local building codes for approved methods of construction.

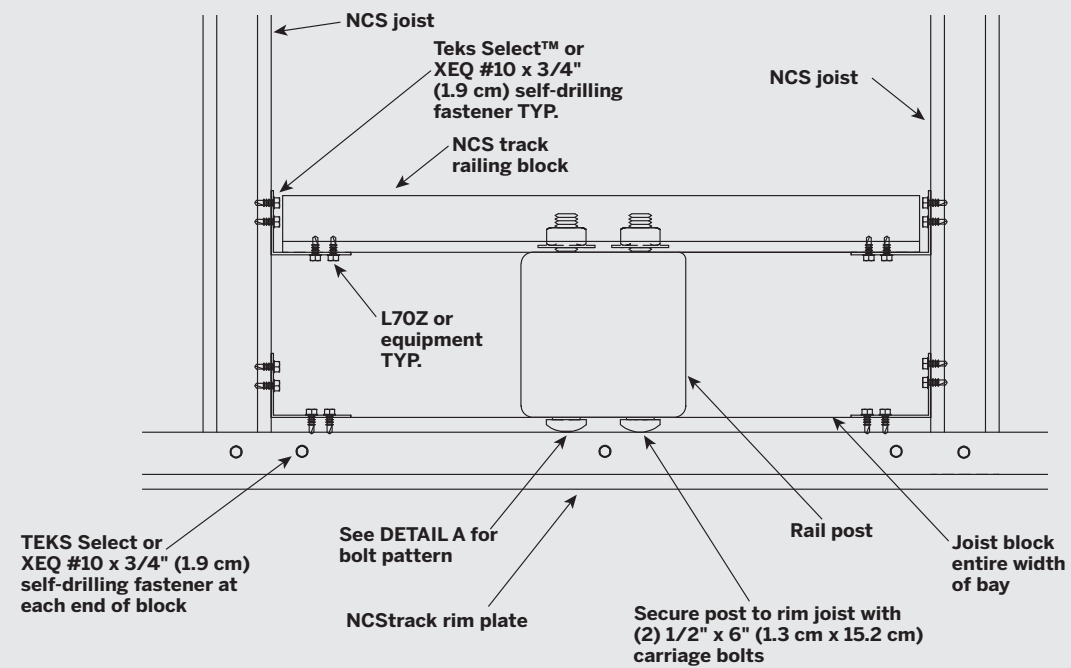
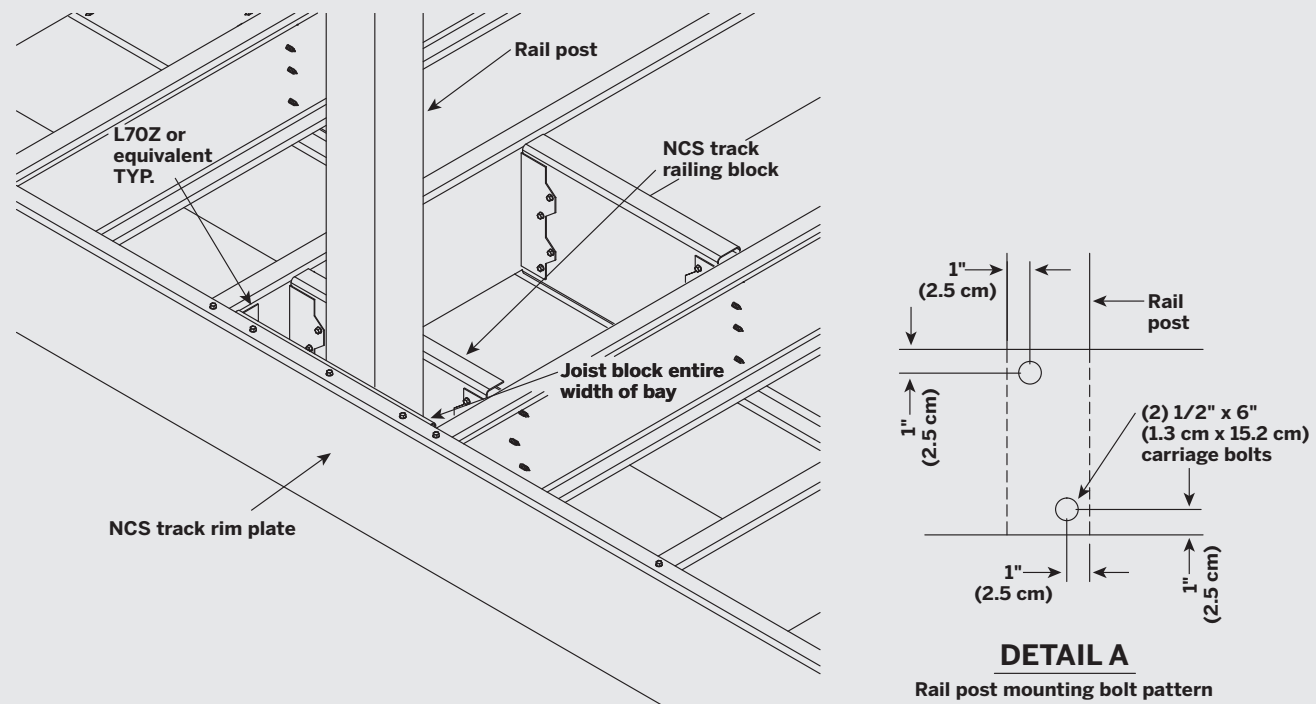
INSIDE RAIL POST ATTACHMENT AT CORNER



⚠ WARNING

When building with New Castle Steel always wear protective gear and refer to your local building codes for approved methods of construction.

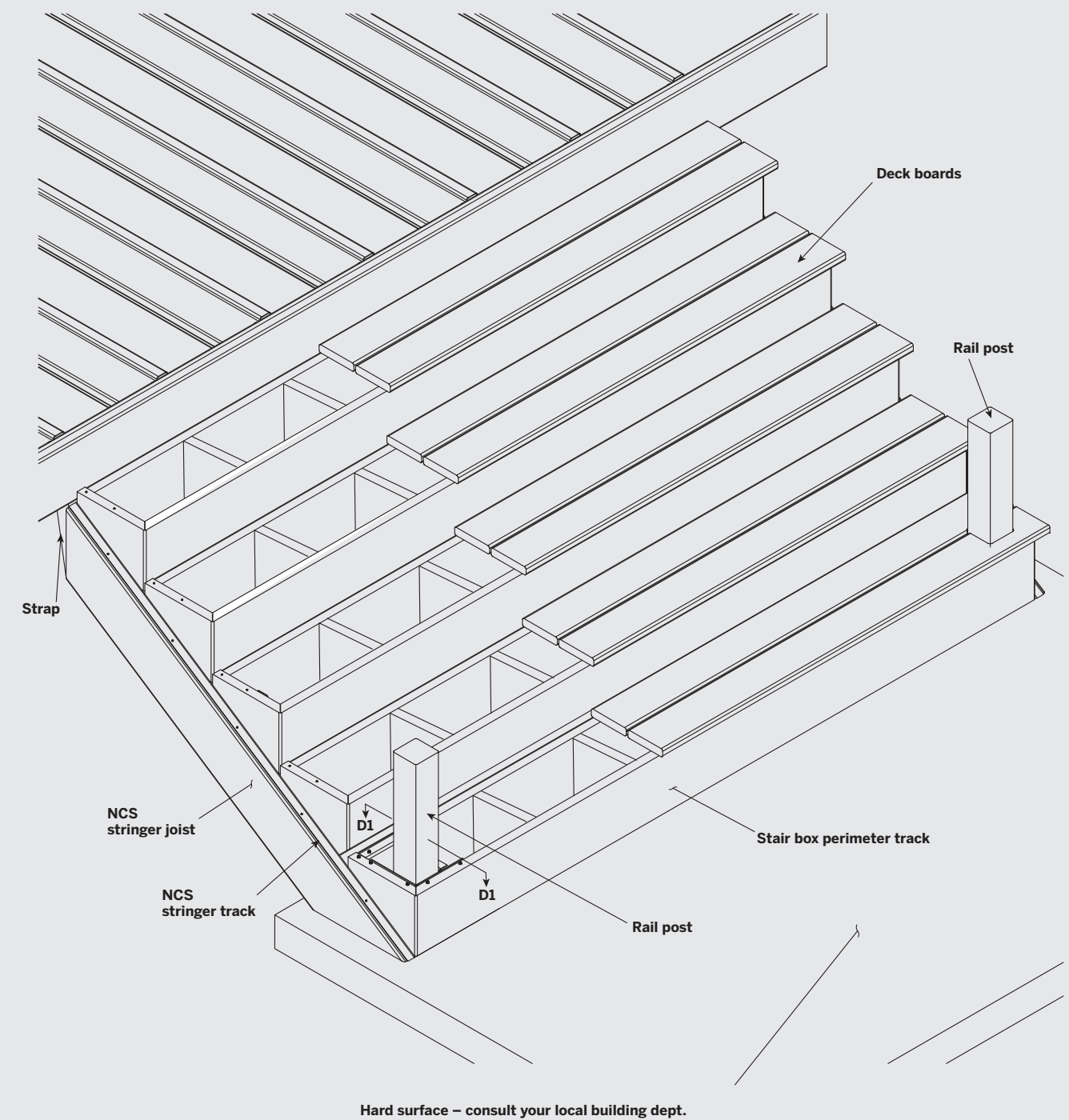
INSIDE RAIL POST ATTACHMENT AT RIM PLATE



⚠ WARNING

When building with New Castle Steel always wear protective gear and refer to your local building codes for approved methods of construction.

STAIR OVERVIEW DIAGRAM



⚠ WARNING

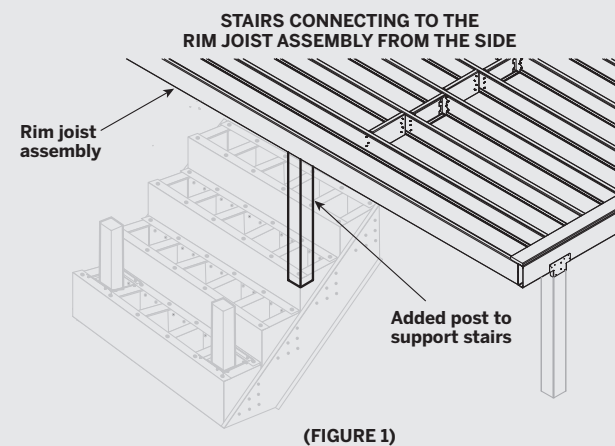
When building with New Castle Steel always wear protective gear and refer to your local building codes for approved methods of construction.

STAIR SUPPORT POSTS

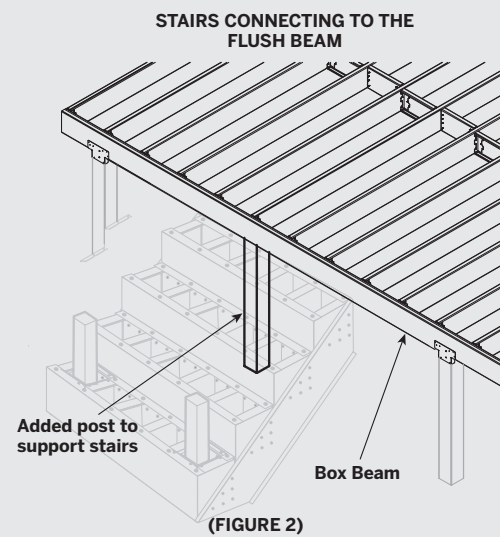
Width	3 - 6 ft (91 - 182 cm)	6 - 8 ft (182 - 243 cm)	8 - 18 ft (243 - 549 cm)
Max height	9 ft (274 cm) (16 rises)*	7 ft (213 cm) (12 rises)*	5 ft (152 cm) (9 rises)*
Mid stringer required	No	No	Yes
Stairs connected to rim joist assembly at the side	One post needed at the mid-span of the stairs load. (Figure 1)		
Stairs connected to the flush box beam	One post needed at the middle of each span taking the stairs load. (Figure 2)		
Stairs connected to the cantilever track of the deck	One post needed under the end of each stringer including mid stringer if used. (Figure 3)		

* Fastener spacing along the width of the stairs is 12 in. If the stairs are 7 ft (12 rises) or taller, 8 in. fastener spacing is required.

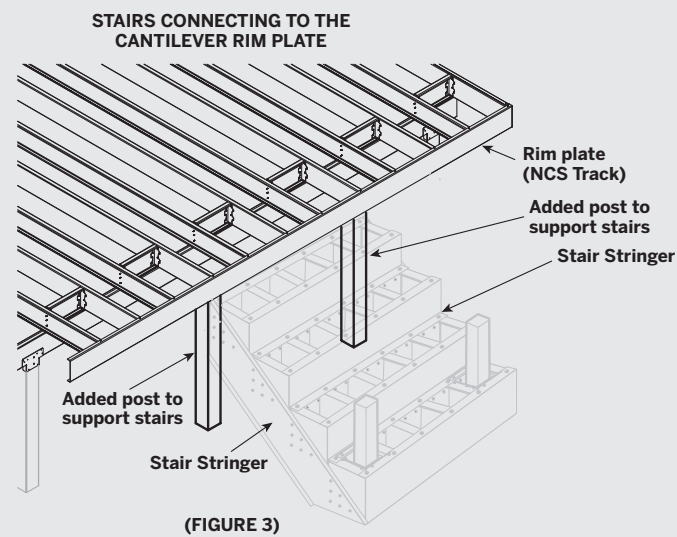
* Applies to wood stair system as well.



(FIGURE 1)



(FIGURE 2)

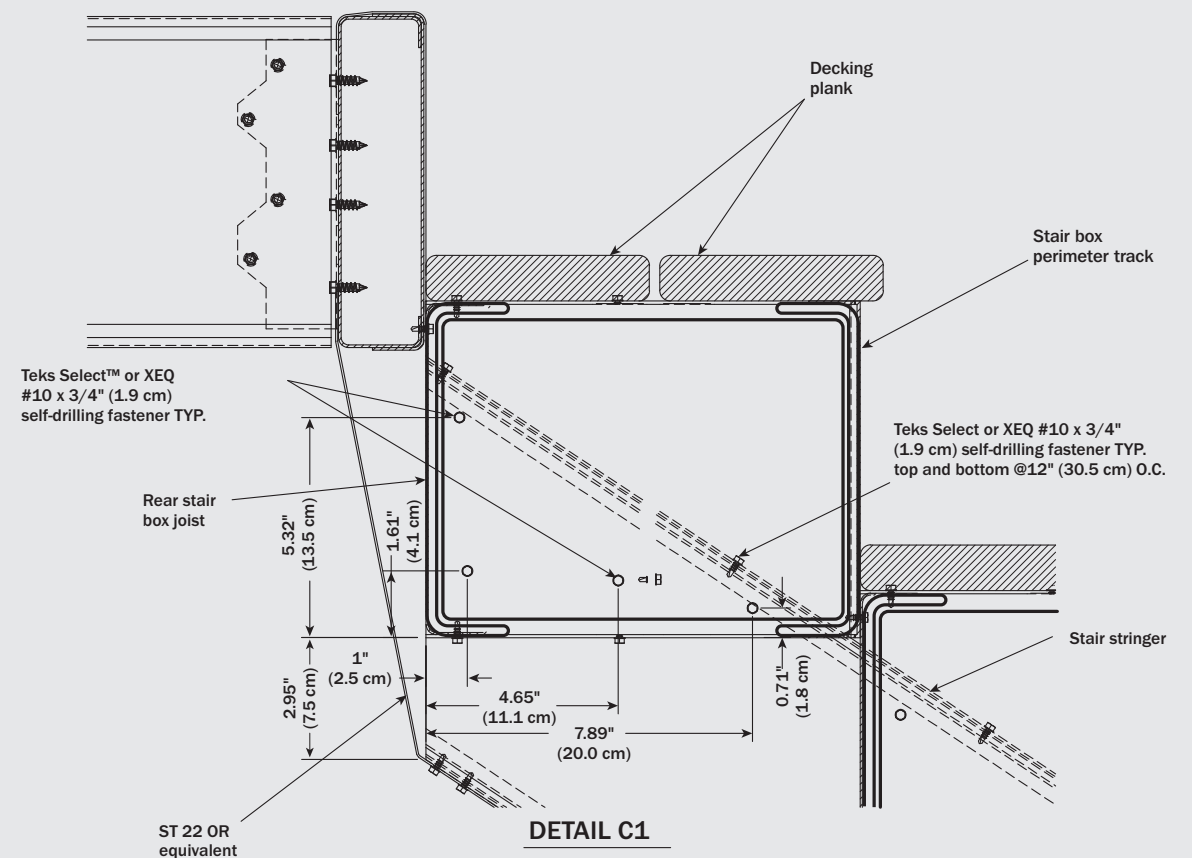
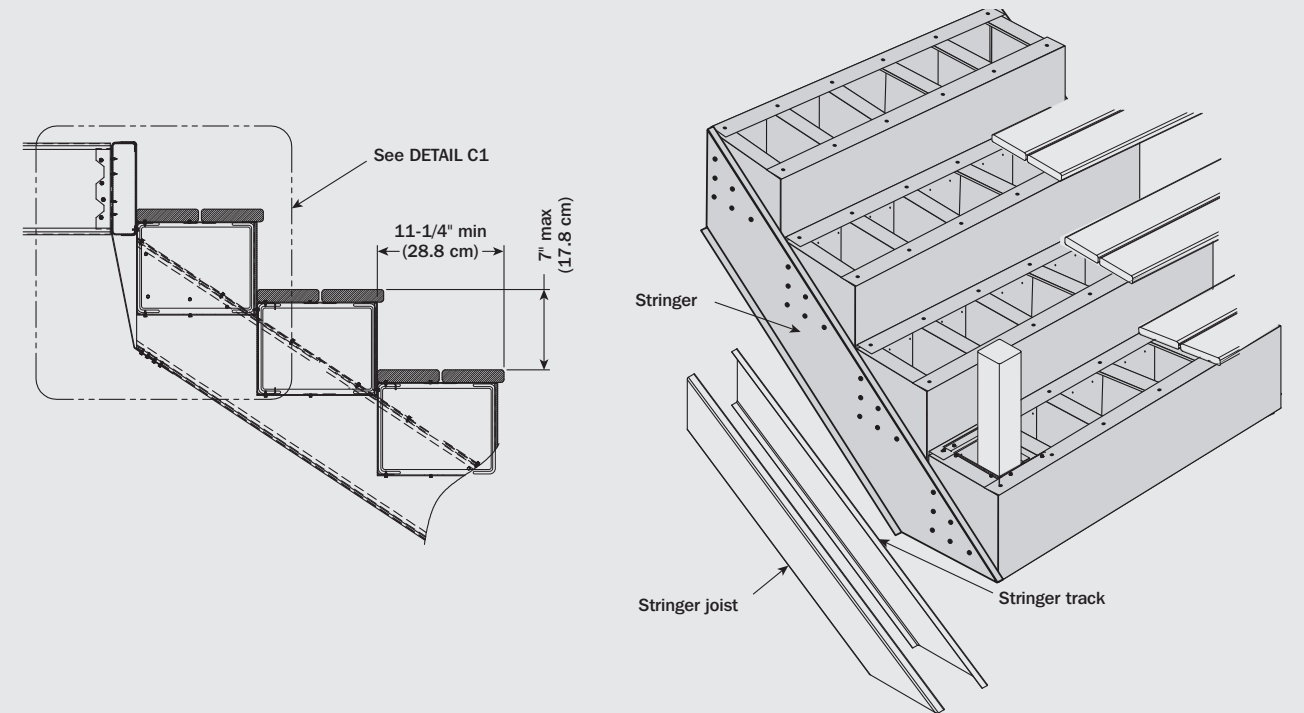


(FIGURE 3)

⚠ WARNING

When building with New Castle Steel always wear protective gear and refer to your local building codes for approved methods of construction.

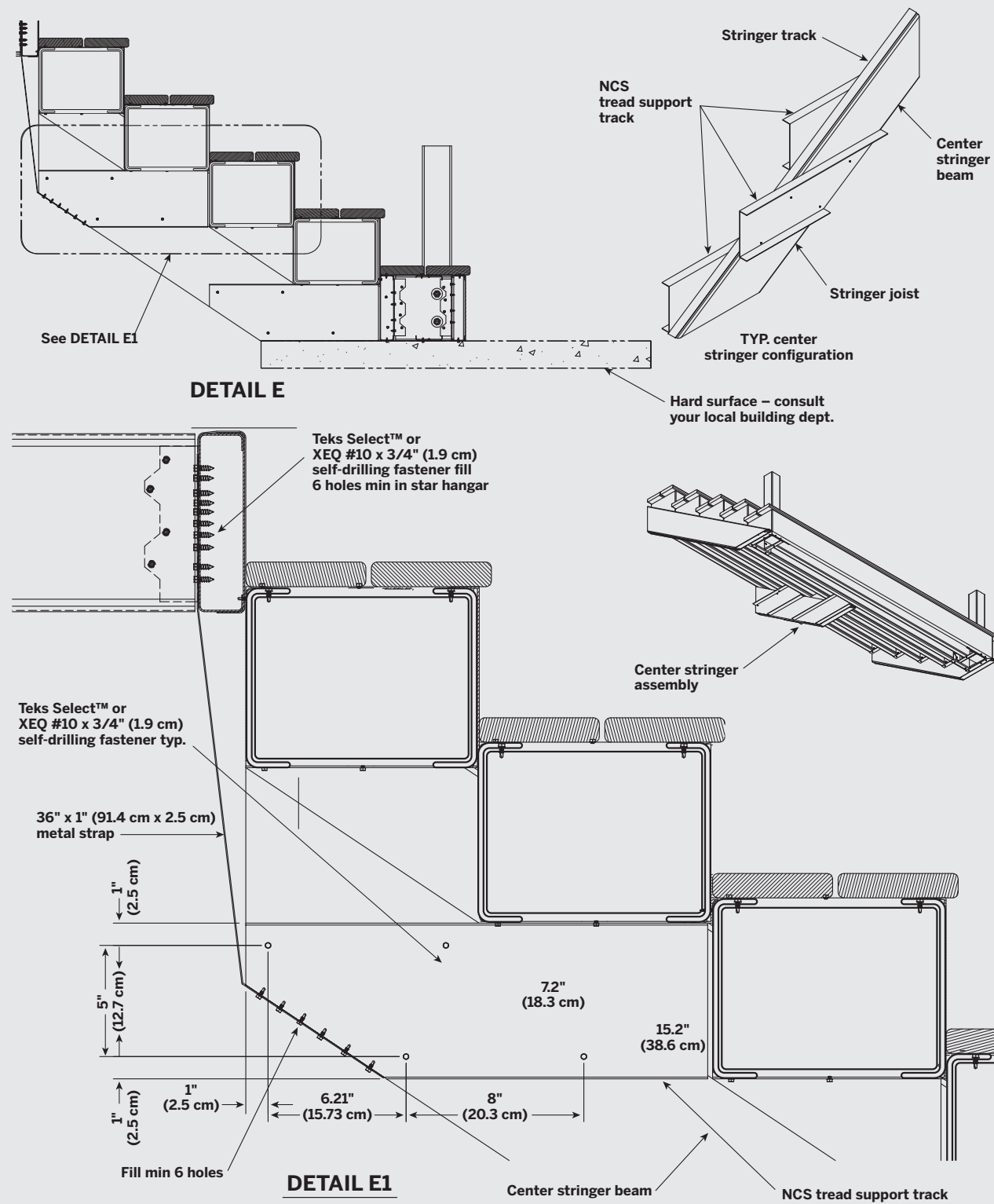
STAIR STRINGER ASSEMBLY



⚠ WARNING

When building with New Castle Steel always wear protective gear and refer to your local building codes for approved methods of construction.

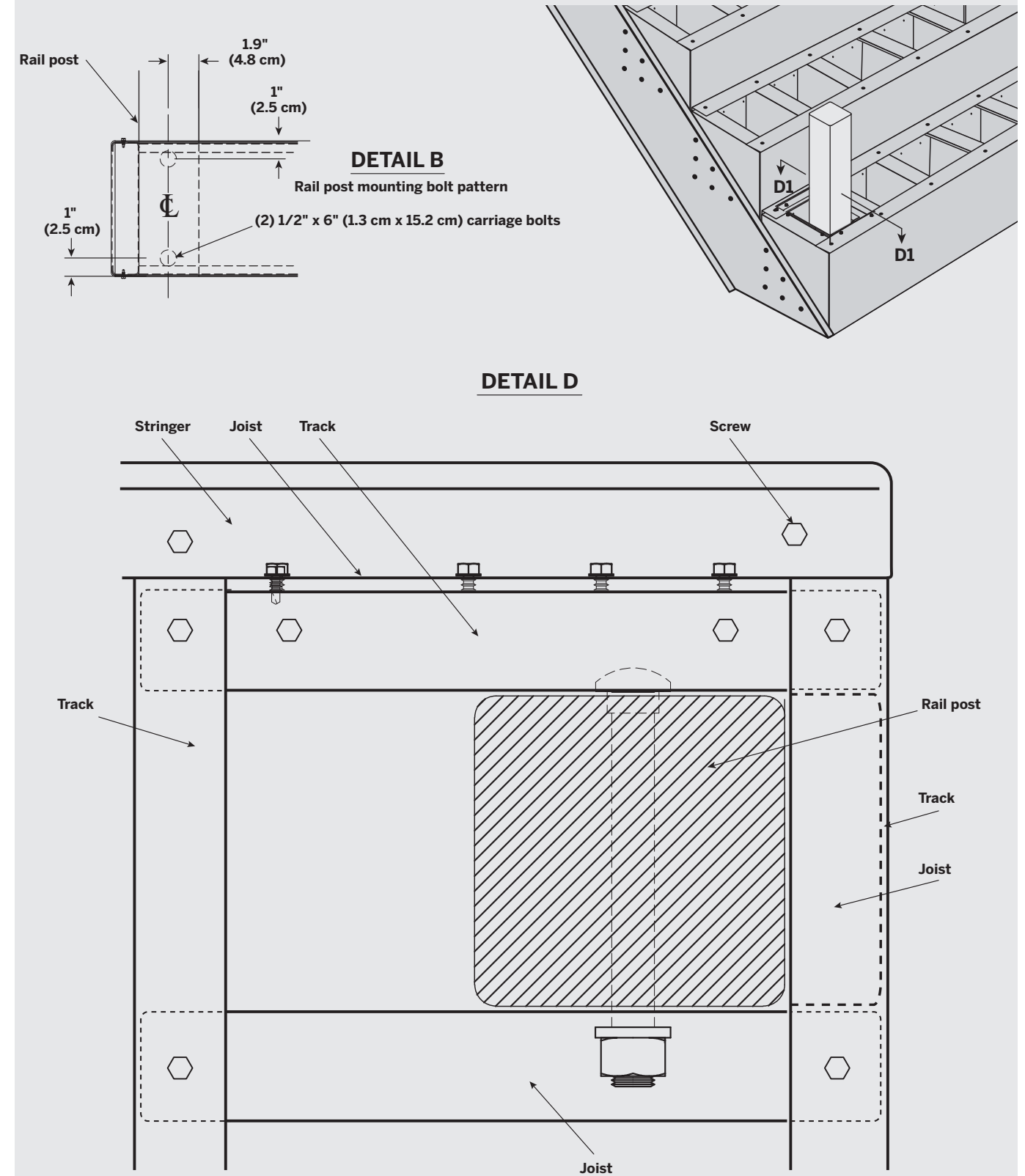
STAIR CENTER STRINGER ASSEMBLY



⚠ WARNING

When building with New Castle Steel always wear protective gear and refer to your local building codes for approved methods of construction.

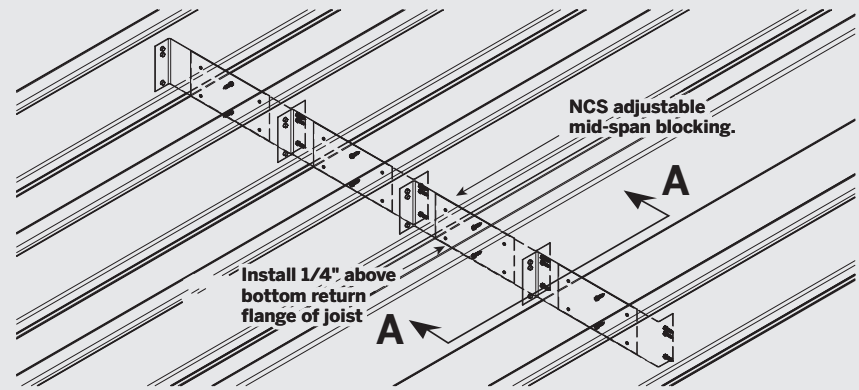
STAIR RAILING POST ATTACHMENT



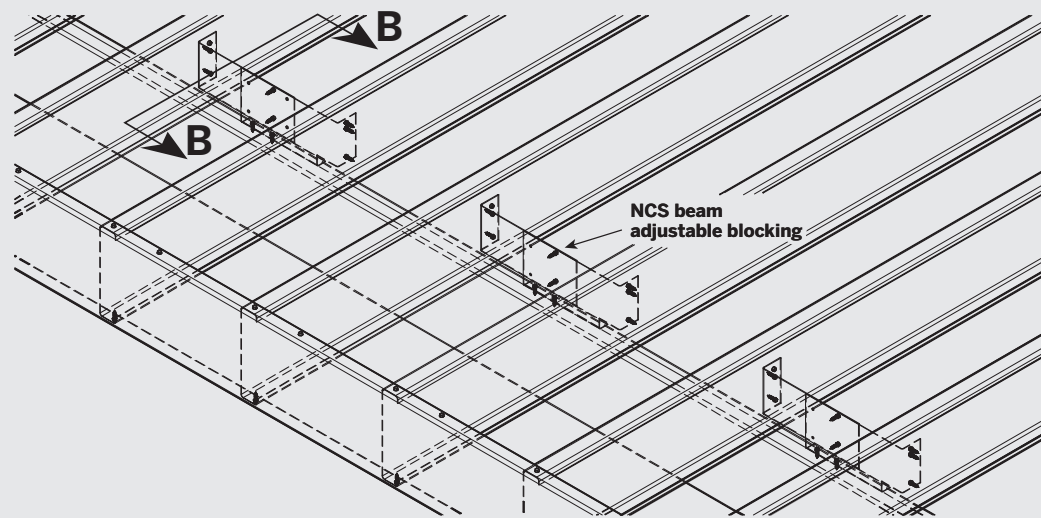
⚠ WARNING

When building with New Castle Steel always wear protective gear and refer to your local building codes for approved methods of construction.

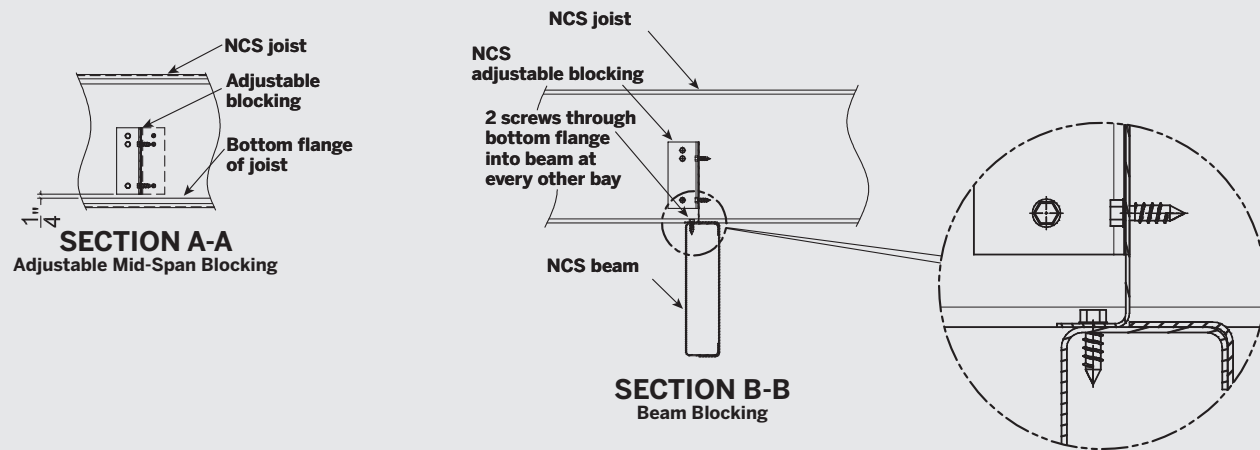
ADJUSTABLE BLOCKING OPTION



MID-SPAN BLOCKING
Mid-span blocking required on joist spans greater than 8' in every bay.



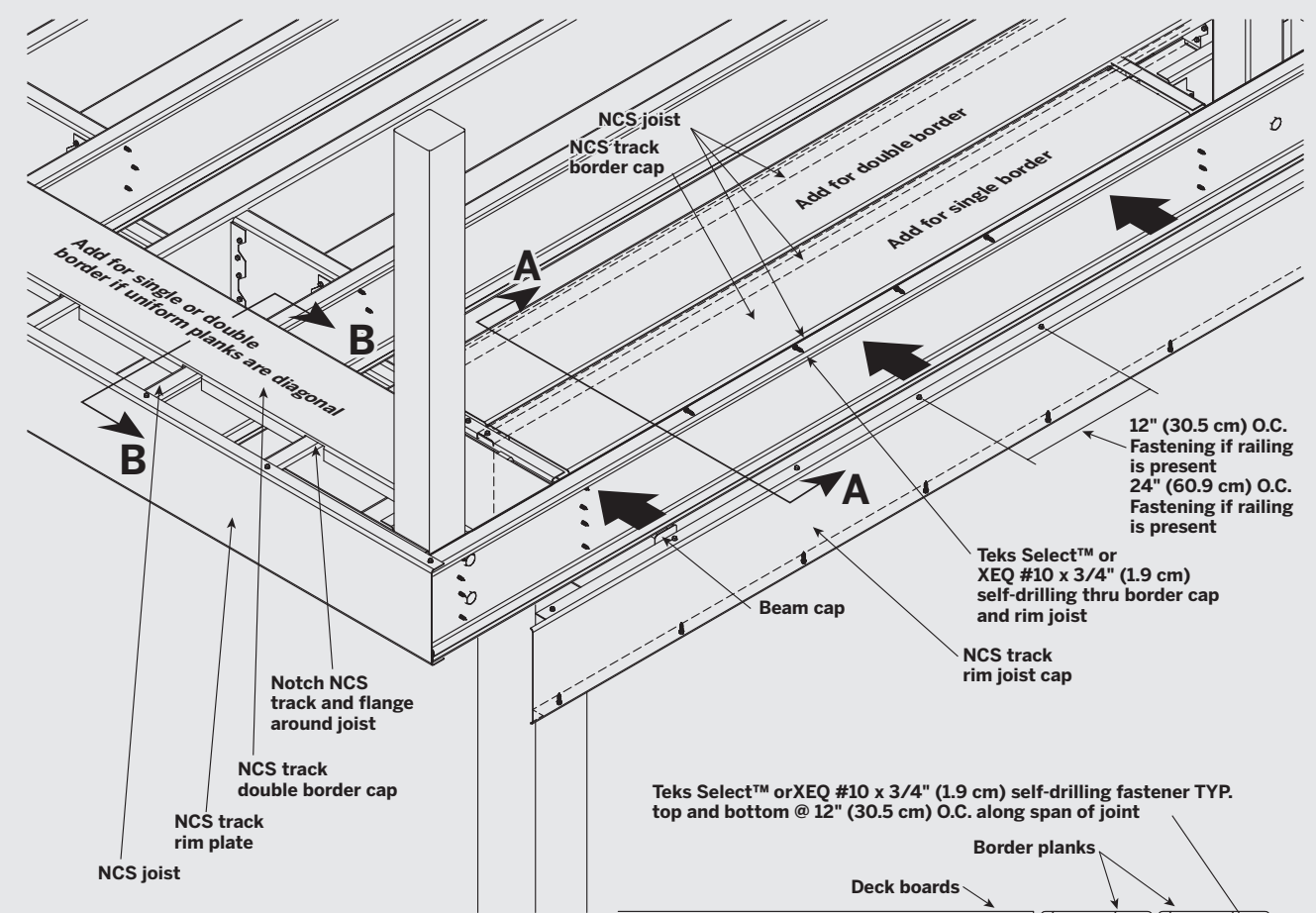
ABOVE BEAM BLOCKING
Beam blocking required every other bay.



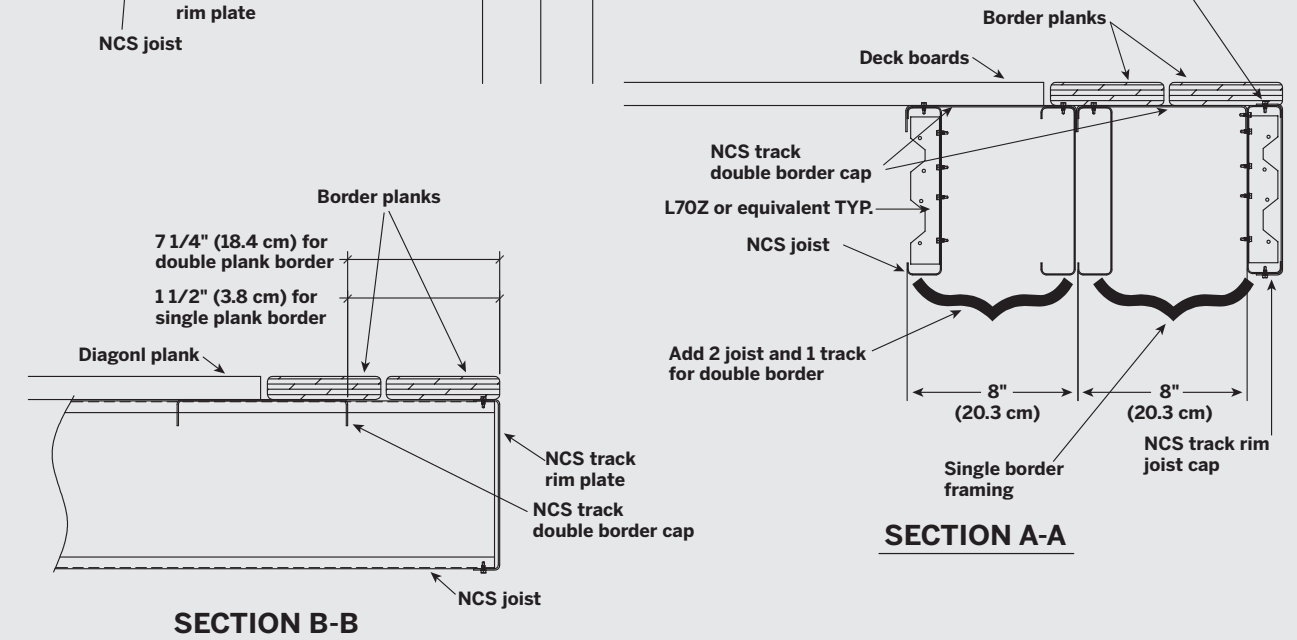
⚠ WARNING

When building with New Castle Steel always wear protective gear and refer to your local building codes for approved methods of construction.

BORDER PLANK FRAMING



Teks Select™ or XEQ #10 x 3/4" (1.9 cm) self-drilling fastener TYP. top and bottom @ 12" (30.5 cm) O.C. along span of joist

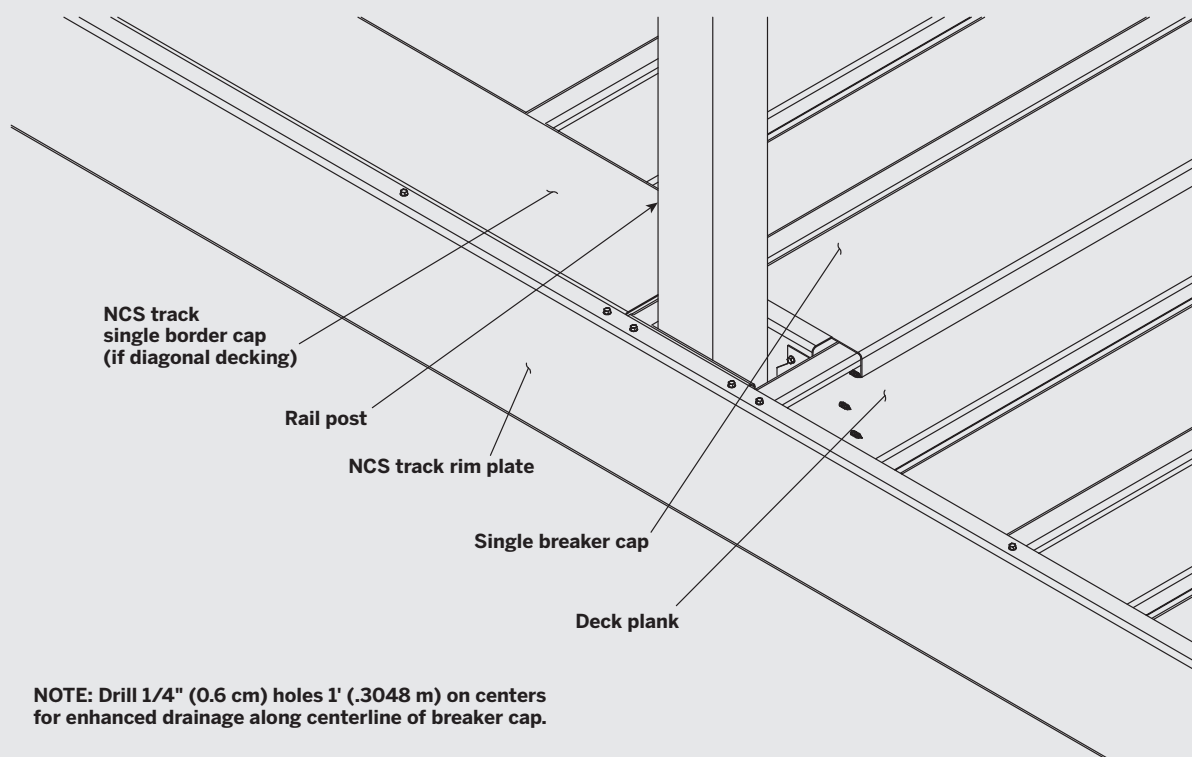
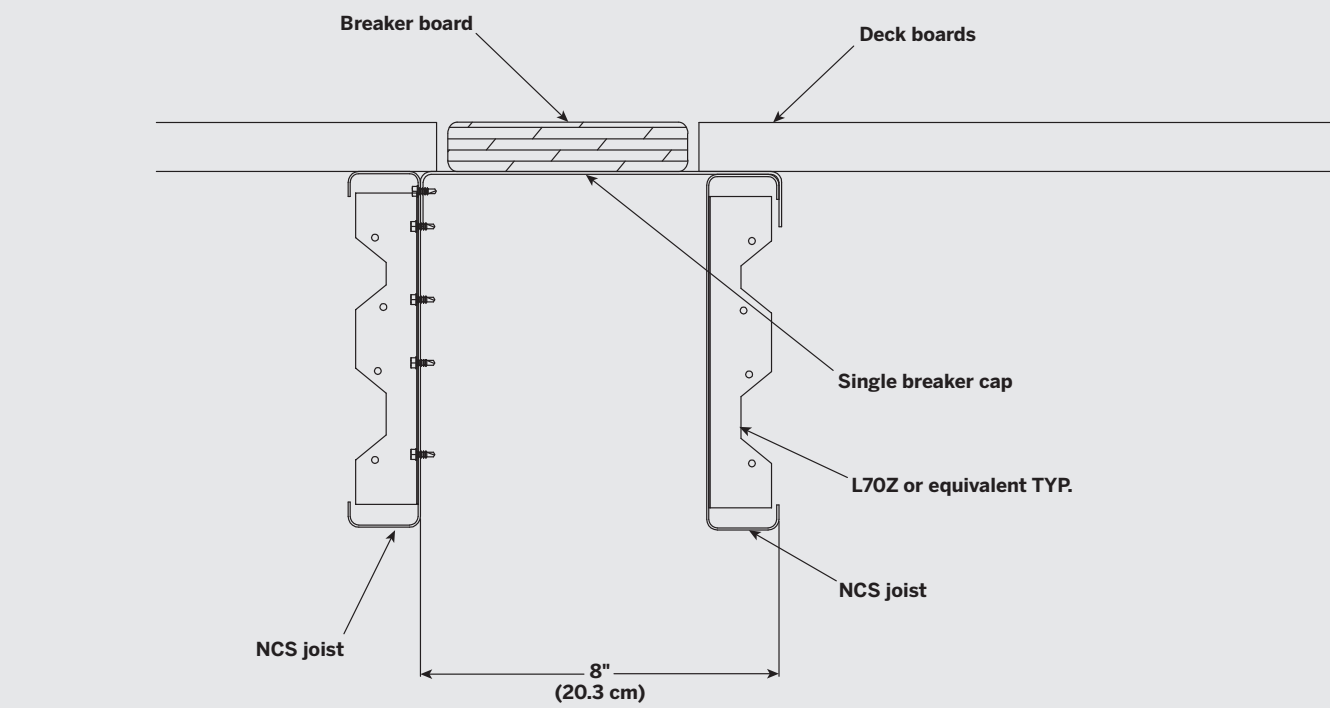


FRAME FOR SINGLE AND DOUBLE BORDERS

⚠ WARNING

When building with New Castle Steel always wear protective gear and refer to your local building codes for approved methods of construction.

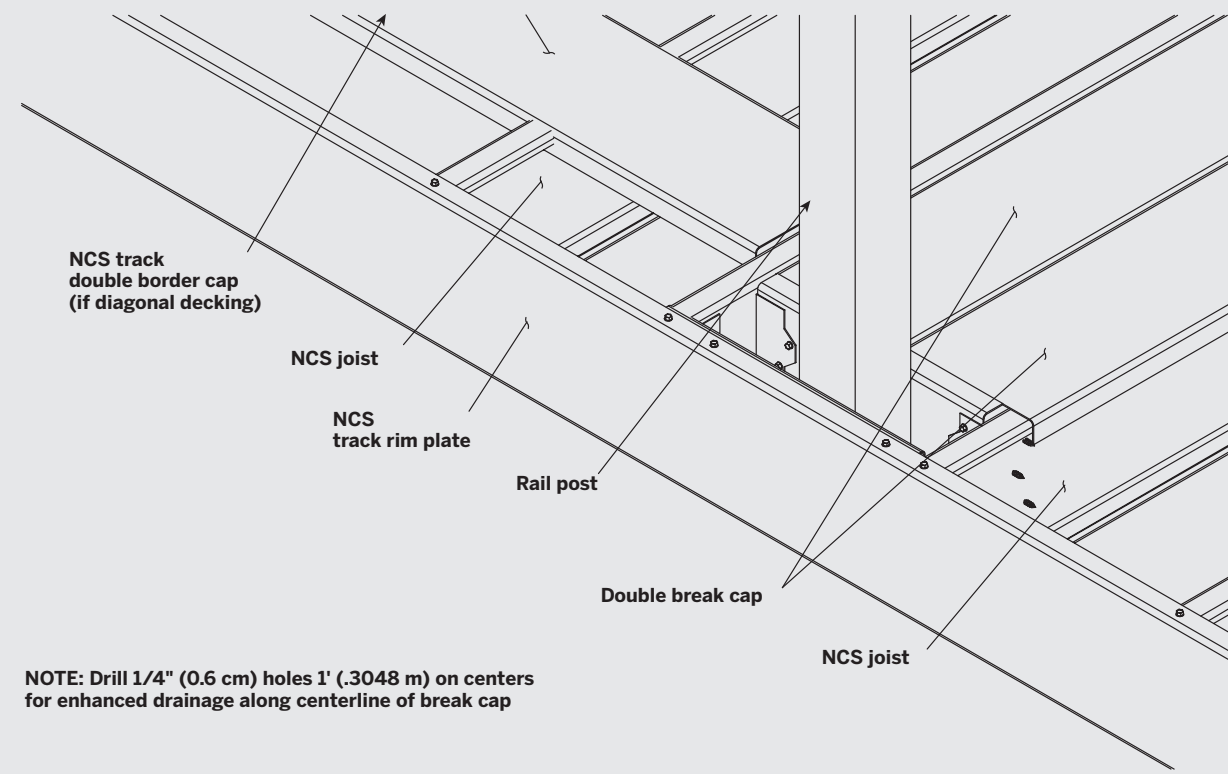
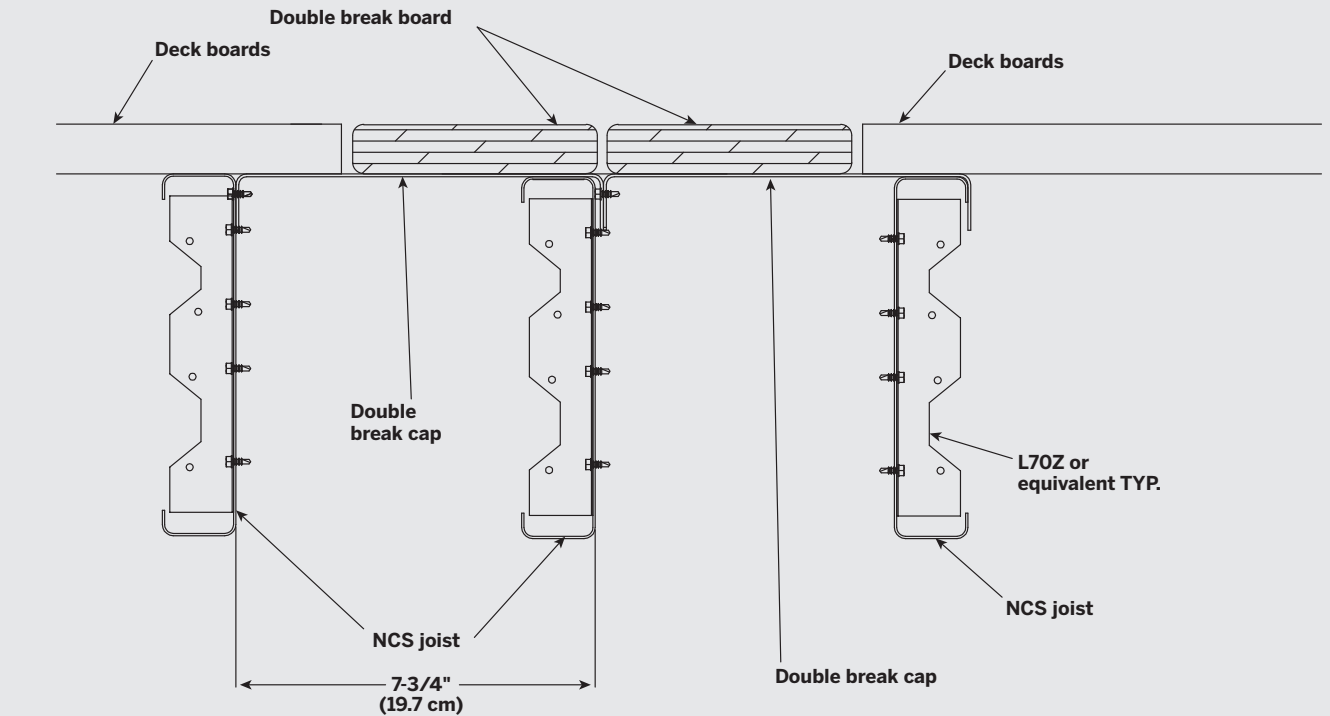
BREAKER BOARD FRAMING TYP. SINGLE BREAK



⚠ WARNING

When building with New Castle Steel always wear protective gear and refer to your local building codes for approved methods of construction.

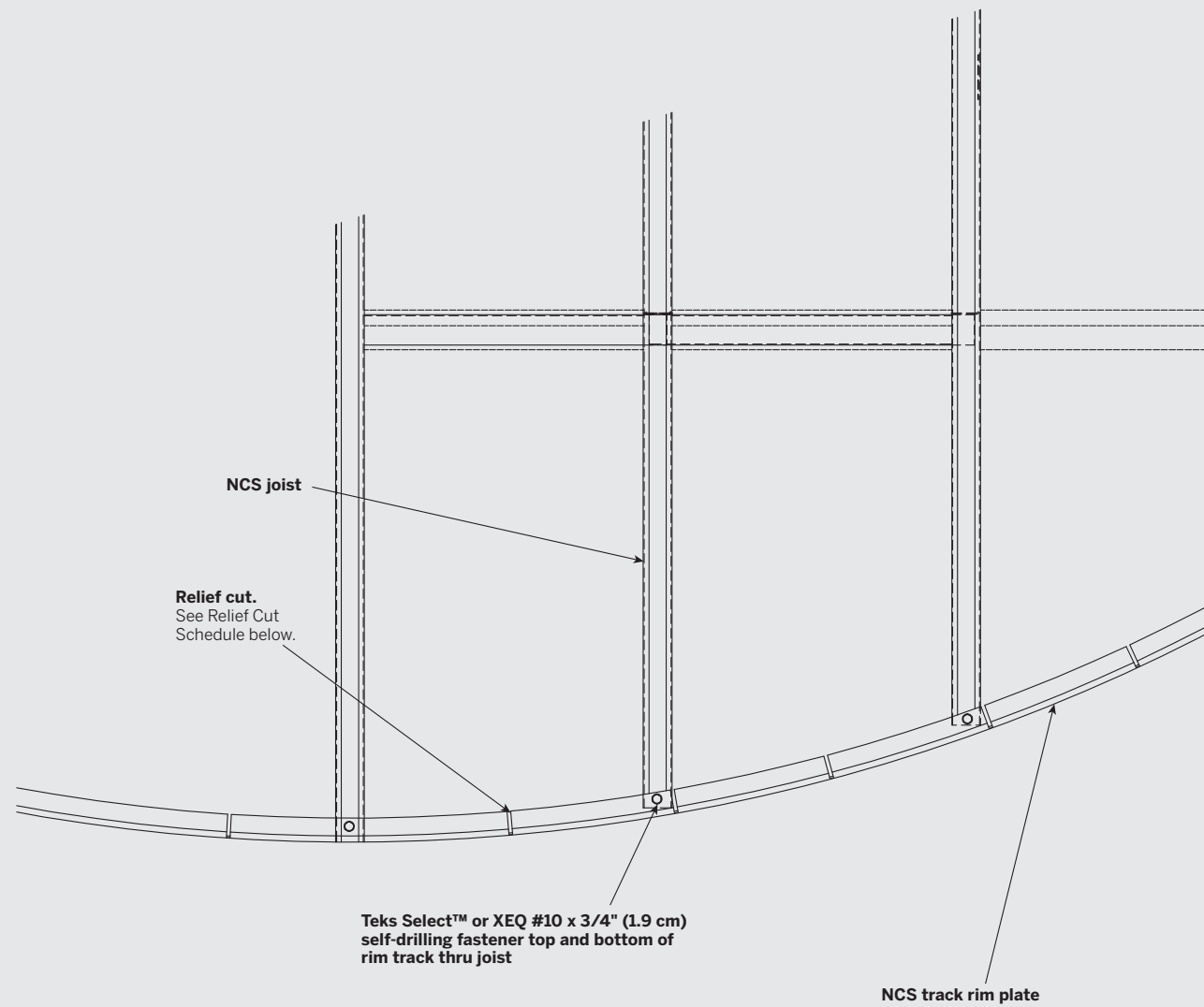
BREAKER BOARD FRAMING TYP. DOUBLE BREAK



⚠ WARNING

When building with New Castle Steel always wear protective gear and refer to your local building codes for approved methods of construction.

GENERAL FRAMING DETAIL – CURVED FRONT TRACK RIM PLATE

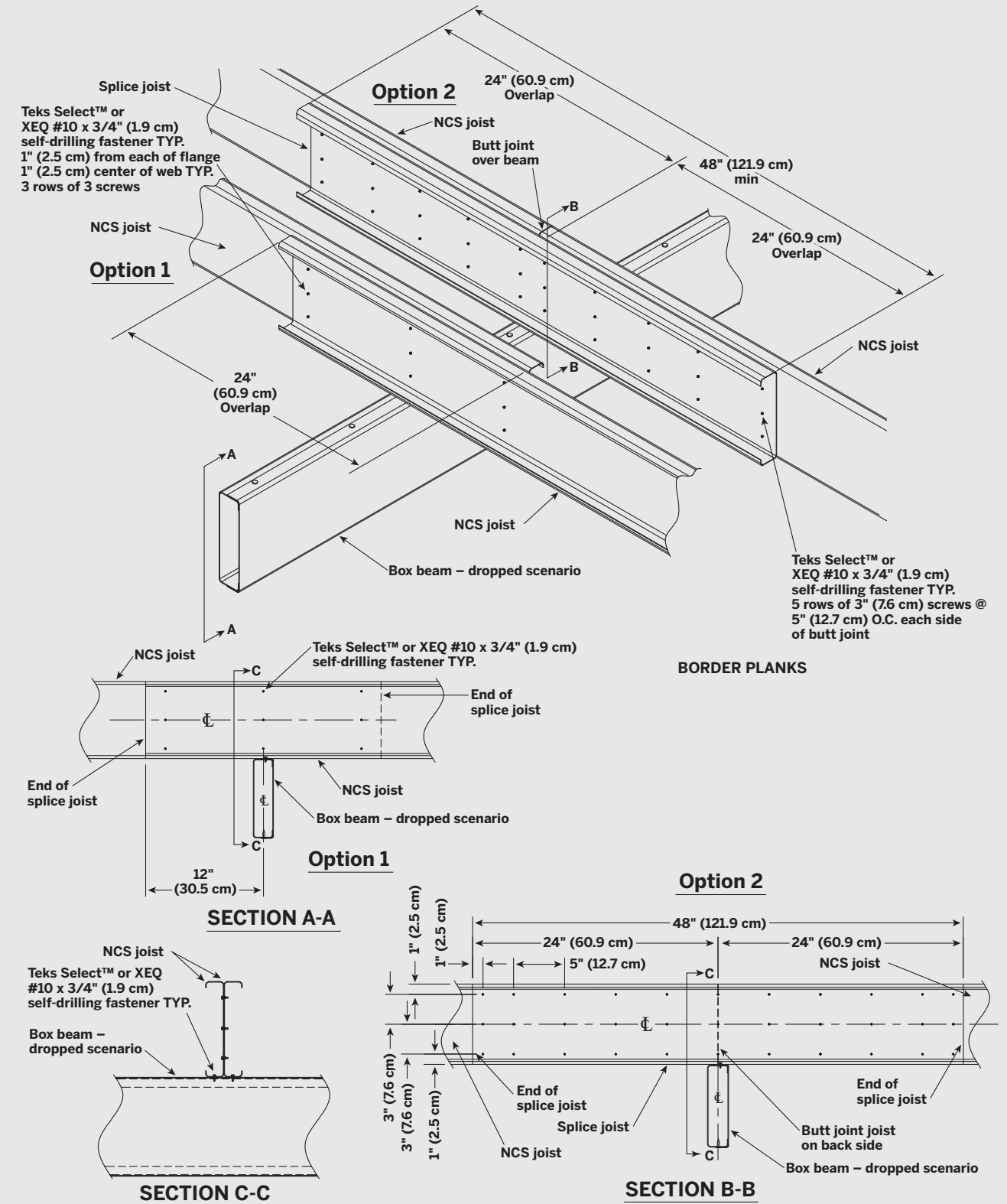


RELIEF CUT SCHEDULE	
NEW CASTLE STEEL TRACK TOP AND BOTTOM FLANGE	
RADIUS	RADIUS
3' - 0" to 5' - 11" (91.4 cm to 180.3 cm)	2" (5.1 cm)
5' - 11" to 8' - 11" (180.3 cm to 271.8 cm)	4" (10.2 cm)
8' - 11" to 11' - 11" (271.8 cm to 363.2 cm)	6" (15.2 cm)
11' - 11" to 14' - 11" (363.2 cm to 454.0 cm)	8" (20.3 cm)
14' - 11" and above (454.0 cm and above)	10" (25.4 cm)

⚠ WARNING

When building with New Castle Steel always wear protective gear and refer to your local building codes for approved methods of construction.

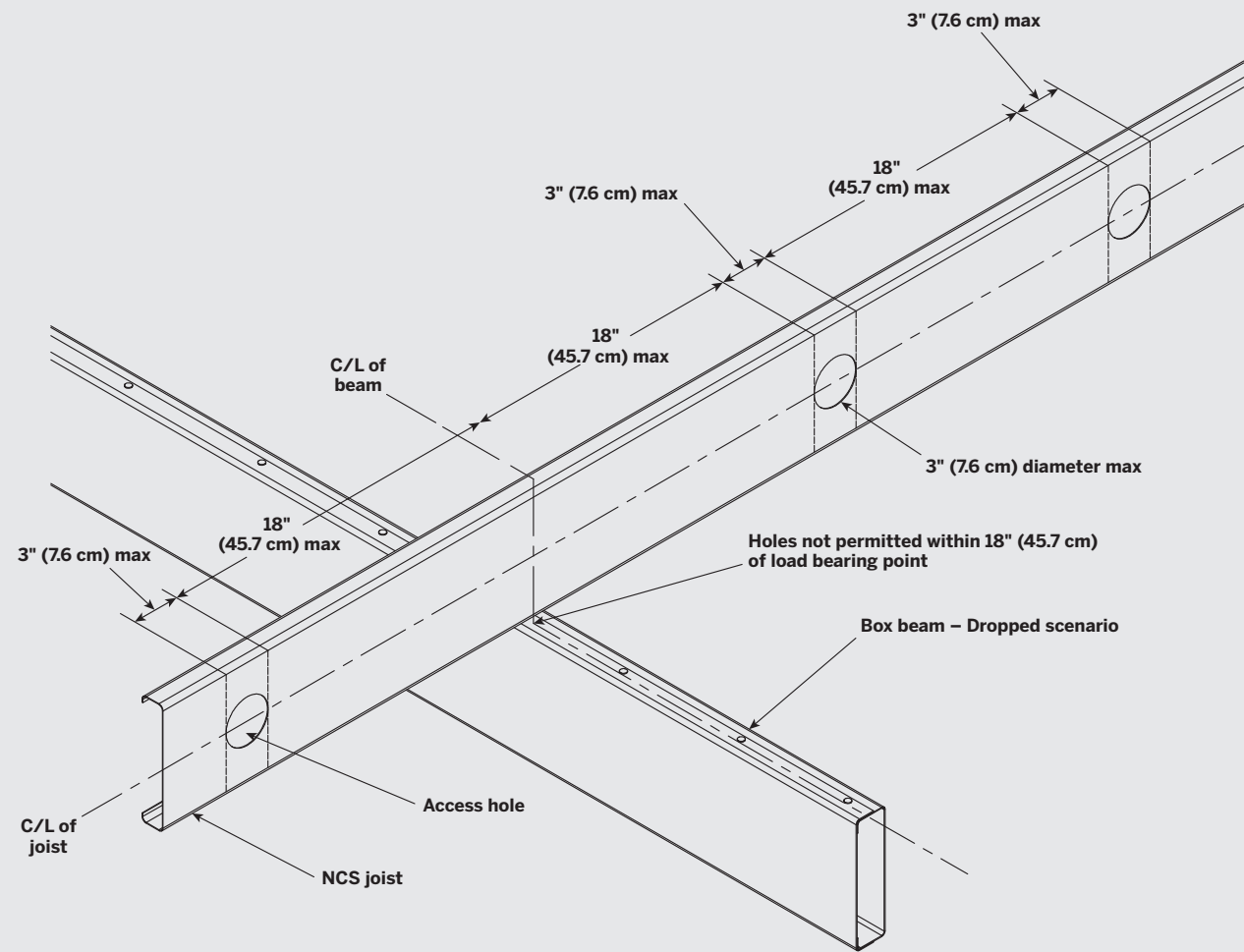
JOIST SPLICE OVER DROPPED BEAM



⚠ WARNING

When building with New Castle Steel always wear protective gear and refer to your local building codes for approved methods of construction.

GENERAL FRAMING DETAIL – JOIST PERFORATIONS

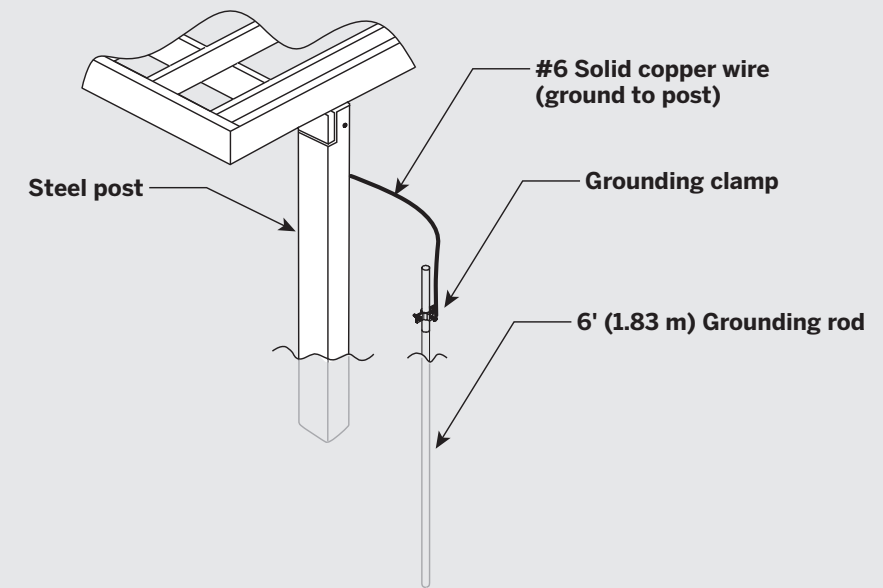


⚠ WARNING

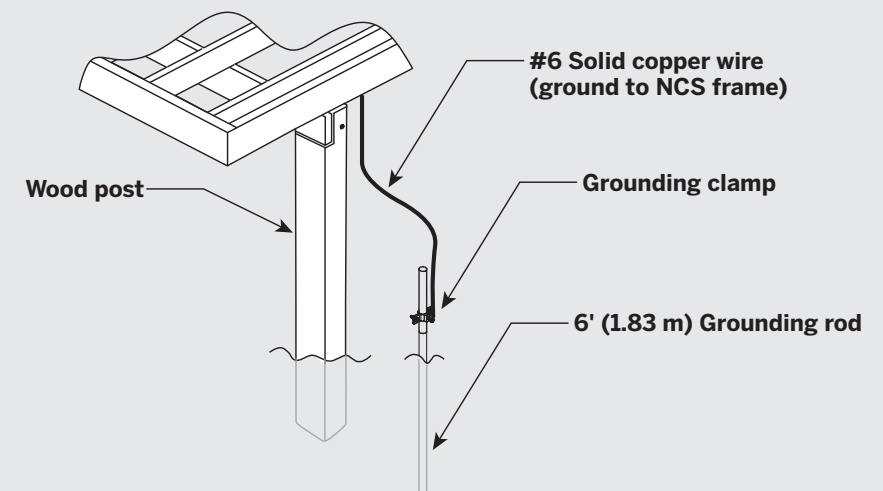
When building with New Castle Steel always wear protective gear and refer to your local building codes for approved methods of construction.

DECK FRAMING DETAIL (OPTIONAL GROUNDING)

Deck with Steel Post



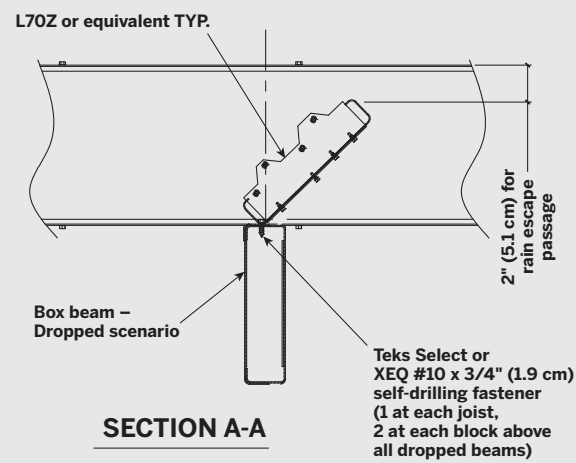
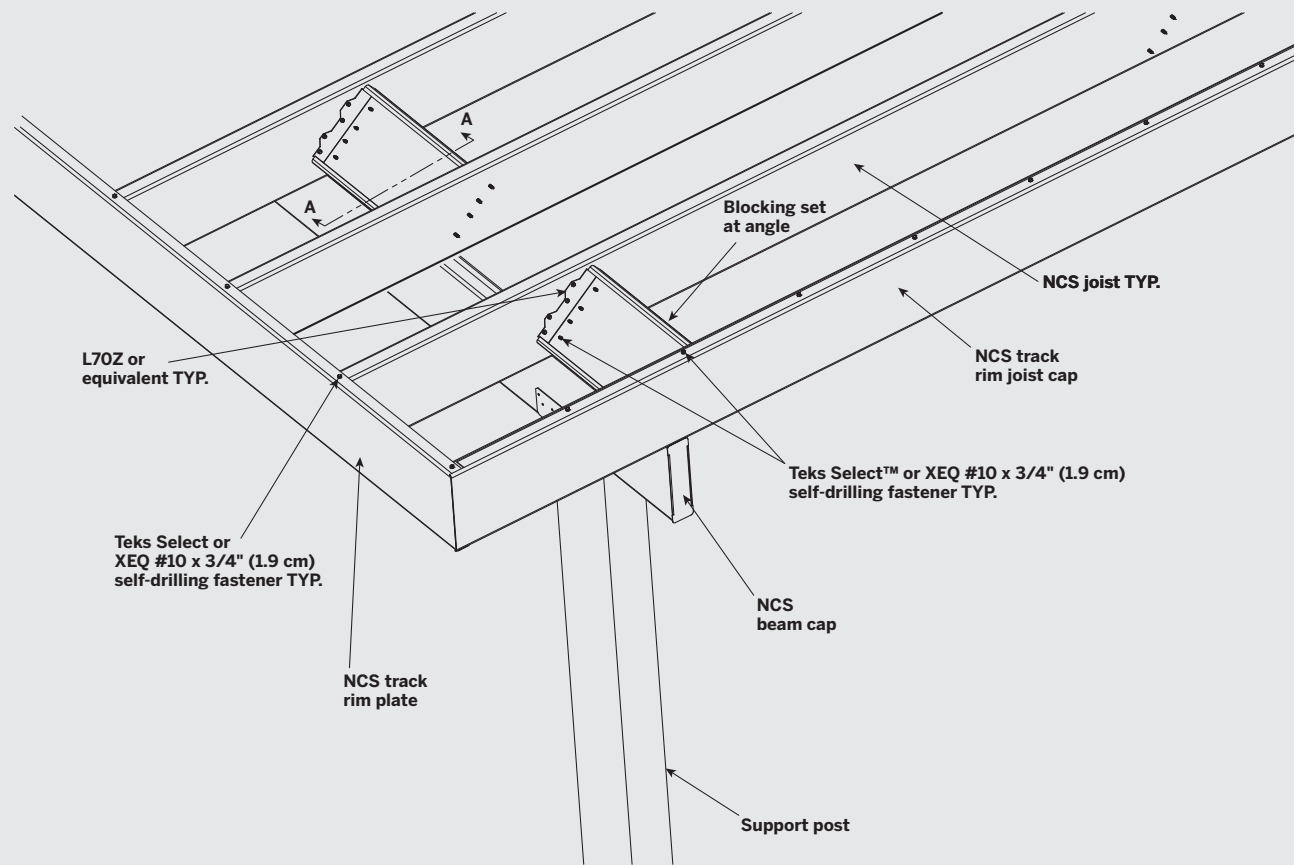
Deck with Wood Post



⚠ WARNING

When building with New Castle Steel always wear protective gear and refer to your local building codes for approved methods of construction.

GENERAL FRAMING DETAIL – TREX RAIN ESCAPES® BLOCKING ATOP BEAM



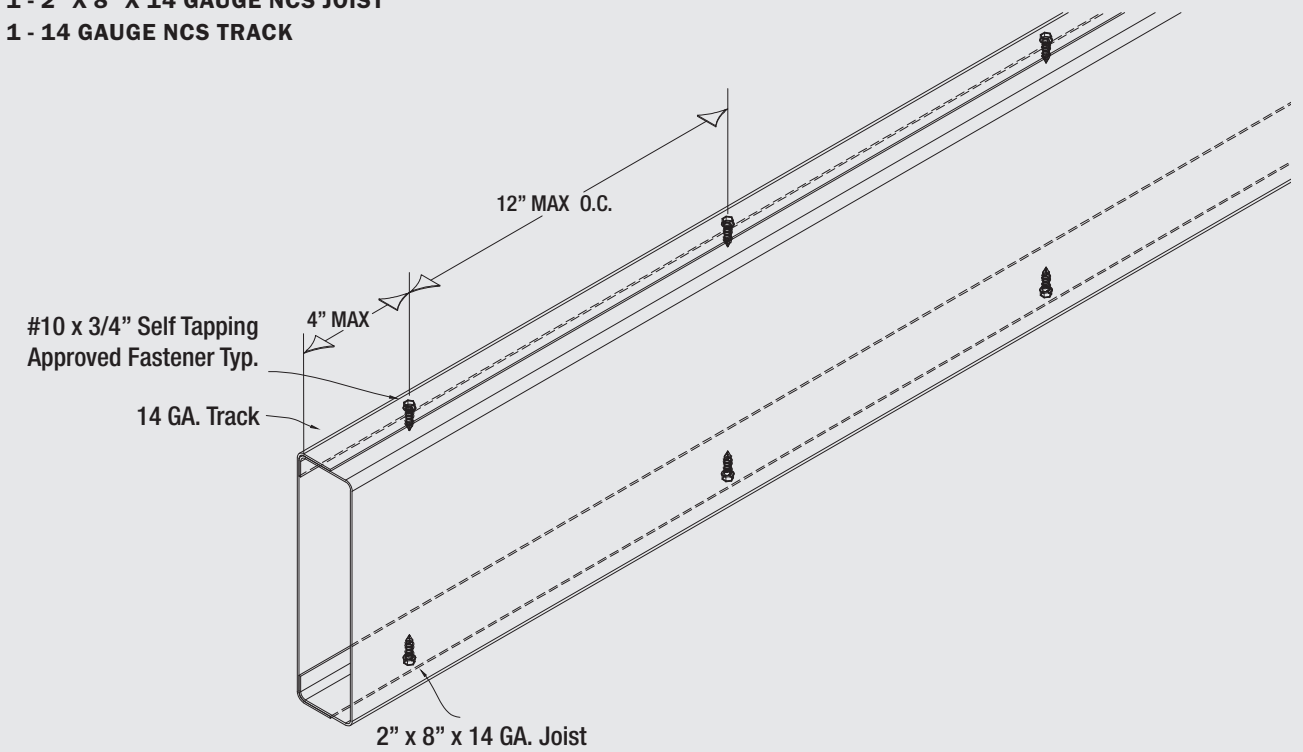
⚠ WARNING

When building with New Castle Steel always wear protective gear and refer to your local building codes for approved methods of construction.

BEAM CONFIGURATIONS

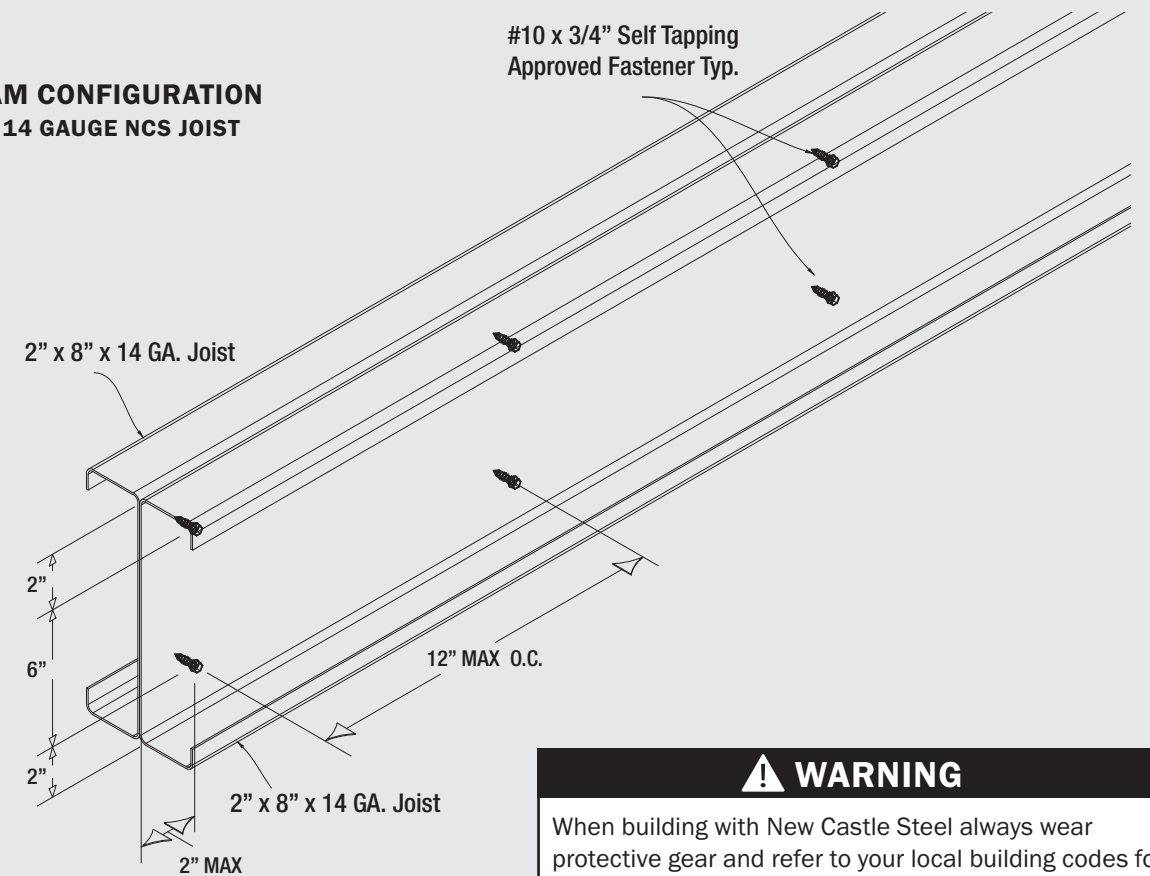
SINGLE BEAM CONFIGURATION

- 1 - 2" X 8" X 14 GAUGE NCS JOIST
- 1 - 14 GAUGE NCS TRACK



OPEN BEAM CONFIGURATION

- 2 - 2" X 8" X 14 GAUGE NCS JOIST



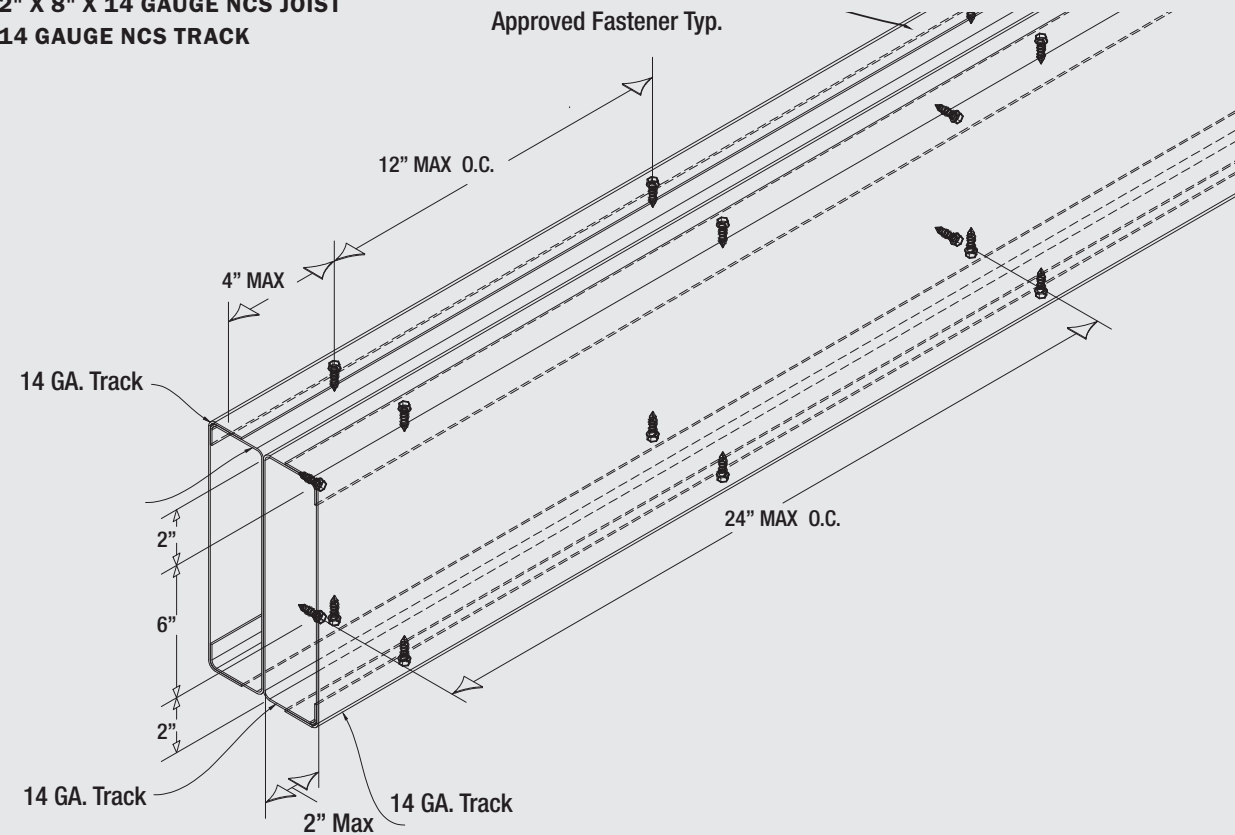
⚠ WARNING

When building with New Castle Steel always wear protective gear and refer to your local building codes for approved methods of construction.

BEAM CONFIGURATIONS

DOUBLE BEAM CONFIGURATION

2 - 2" X 8" X 14 GAUGE NCS JOIST
2 - 14 GAUGE NCS TRACK



⚠ WARNING

When building with New Castle Steel always wear protective gear and refer to your local building codes for approved methods of construction.

NEW CASTLE STEEL® MAINTENANCE

Corrosion is a naturally occurring phenomenon. However, with proper corrosion management, the life of New Castle Steel components can be extended well beyond the warranty period.

Observation

During construction, inspect all components for exposed steel, and cover the exposed area with New Castle Steel approved touch-up paint in accordance with the *New Castle Steel Product and Installation Guide*. Covering exposed area with New Castle Steel approved touch-up paint, such as NCS approved touch-up paint, blends the blemishes into the same unique color of the components.

First Maintenance

First maintenance is defined as the physical inspection of components in search of corrosion. Atmospheric and environmental conditions can affect the longevity of New Castle Steel™. Densities of air borne pollutants in certain atmospheres require adjustments in the maintenance and inspection schedules.

You should conduct first maintenance within 6 years (for residential) or 4 years (for commercial) after installation. If corrosion is identified, immediately begin corrosion management practices.

Inspection Schedule

After first maintenance, New Castle Steel components must be inspected for structural integrity every 2 to 5 years (residential) or 2 years (commercial). Integrity is inspected by tapping along the surface area of the components with a metal tool such as a screwdriver. If flaking of the exterior coat occurs or discrepancies of sound are heard, immediately begin corrosion management practices.

Corrosion Management

Sand any affected areas to twice the size of the corroded area with 80 grit sand paper. Reapply New Castle Steel approved touch-up paint to the sanded area.

Cleaning Deck

Using cleaning recommendation per www.ncsteel.com will not harm New Castle Steel. Be sure to rinse thoroughly on decking and framing.

De-icing

Use a non-saline based de-icing agent. Rinse off when first practical.

NEW CASTLE STEEL® LIMITED WARRANTY

New Castle Steel Inc. warrants to the original purchaser ("Purchaser") that, for the period of time set forth in the following sentence, under normal use and service conditions, New Castle Steel deck framing components shall be free from material defects in workmanship and materials and will not become structurally unfit, defined as corrosion causing a perforation of the component.

The term of such warranty shall be twenty-five (25) years from the date of original purchase for a residential application, and ten (10) years from the date of original purchase for a commercial application. If a defect occurs within the warranty period, Purchaser shall notify New Castle Steel in writing and, upon confirmation by an authorized New Castle Steel representative of the defect, New Castle Steel's sole responsibility shall be, at its option, to either replace the defective item or refund the portion of the purchase price paid by Purchaser for such a defective item (not including its initial installation cost).

For purposes of this warranty, a "residential application" shall refer to an installation of the Product on an individual residence and a "commercial application" shall refer to any installation of the Product other than on an individual residence.

Salt Water Applications: New Castle Steel may not be installed within 3,000 feet of any body of salt water due to increased risk of corrosion. Any such installation shall void this limited warranty. This warranty does not cover failure due to salt spray corrosion.

Other Water Applications: New Castle Steel may not be installed under the surface or within the splash zone of any freshwater body due to the increased risk of corrosion. Any such installation shall void this limited warranty.

Warranty Exclusions: New Castle Steel components are warranted for structural integrity only. This warranty does not cover damages caused by abnormal or improper use, improper product application, shipping damage, accident, neglect, vandalism, abuse, alteration, welding, abrasion, lawn care equipment damage, harsh chemicals, pool chemicals, saline-based de-icing agents, fertilizer applications, air pollutants, animal waste products, third-party attachments such as roofing, hammocks and swings, damage caused by flood, fire, or acts of God, standing water and direct exposure to aggressive and corrosive atmospheres. New Castle Steel does not accept damage to the product occasioned by moisture or other contamination detrimental to the product due to improper storage prior to installation or damage to the product occasioned by condensation due to improper handling, packaging, processing, shipping, or installation. It does not cover paint film due to the failure of the substrate. Fading, peeling, cracking, and flaking of powder-coated surfaces are normal and are not covered under this warranty. Surface fading and surface corrosion from scratches, nicks, and dents are not covered.

THIS LIMITED WARRANTY SHALL NOT COVER AND NEW CASTLE STEEL SHALL NOT BE RESPONSIBLE FOR COSTS AND EXPENSES INCURRED WITH RESPECT TO THE REMOVAL OF DEFECTIVE NEW CASTLE STEEL PRODUCTS OR THE INSTALLATION OF REPLACEMENT MATERIALS, INCLUDING BUT NOT LIMITED TO LABOR AND FREIGHT.

With respect to a residential application, this warranty may be transferred one (1) time, within the five (5) year period beginning from the date of original purchase by the Purchaser to a subsequent buyer of the property upon which the New Castle Steel products were originally installed. With respect to a commercial application, this warranty is freely transferable to subsequent buyers of the property upon which the New Castle Steel products were originally installed.

To make a claim under this limited warranty, Purchaser, or the transferee, shall send to New Castle Steel within the warranty period referred to above, a description of the claimed defect and proof of purchase to the following address:

**New Castle Steel Inc.
Customer Relations
1000 Pine Mill Drive, Marietta, GA 30066**

New Castle Steel does not warrant against nor is responsible for any defects caused by improper installation, not following the New Castle Steel maintenance requirements, exceeding design limitations, or movement caused by ground settling. This warranty is also void if the product is not installed in accordance with local laws and building codes. Rust or corrosion on any surface on or around the frame installation caused by steel shavings or chips left over from the steel-cutting process is NOT covered by this warranty.

New Castle Steel does not warrant against and is not responsible for any condition attributable to (1) defects caused by improper installation or decay caused by fasteners; (2) use of New Castle Steel products beyond normal use or service conditions, or in an application not recommended by New Castle Steel's guidelines and local building codes; (3) corrosion caused by factors other than environmental or atmospheric processes; (4) failure to strictly abide by New Castle Steel's standard maintenance practices, as described below; (5) movement, distortion, collapse, or settling of the ground; (6) any act of God (such as flooding, hurricane, earthquake, lightning, etc.); (7) improper handling, storage, abuse, or neglect of New Castle Steel products by Purchaser, the transferee or third parties; or (8) ordinary wear and tear.

No person or entity is authorized by New Castle Steel to make and New Castle Steel shall not be bound by any statement or representation as to the quality or performance of New Castle Steel products other than as contained in this warranty. This warranty may not be altered or amended except in a written instrument signed by New Castle Steel and Purchaser.

UNDER NO CIRCUMSTANCES WILL NEW CASTLE STEEL BE LIABLE FOR SPECIAL, INCIDENTAL OR CONSEQUENTIAL DAMAGES, WHETHER SUCH DAMAGES ARE SOUGHT IN CONTRACT, IN TORT (INCLUDING BUT NOT LIMITED TO NEGLIGENCE AND STRICT LIABILITY) OR OTHERWISE, AND NEW CASTLE STEEL'S LIABILITY WITH RESPECT TO DEFECTIVE NEW CASTLE STEEL PRODUCTS SHALL IN NO EVENT EXCEED THE REPLACEMENT OF SUCH PRODUCTS OR REFUND OF THE PURCHASE PRICE, AS DESCRIBED ABOVE.

Some States or Provinces do not allow the exclusion or limitation of incidental or consequential damages, so the above limitation or exclusion may not apply to you. This warranty gives you specific legal rights, and you may also have other rights that vary from State to State or Province to Province.

New Castle Steel Maintenance Requirements:

- 1. Observation:** During construction, inspect all components for exposed steel. All nicks, scratches, dents, etc., that expose the steel must be completely covered with a minimum of (3) three coats of New Castle Steel-approved touch-up paint. (Due to application variability, New Castle Steel does not warranty touch-up paint.) Covering exposed areas with New Castle Steel-approved touch-up paint blends the blemishes into the same unique color of the components. All steel shavings and chips resulting from the cutting process must be removed from the steel during installation and any subsequent alterations. Not removing steel shavings and chips could result in staining surrounding surfaces or accelerated corrosion of New Castle Steel products.
- 2. First Maintenance:** Defined as the physical inspection of components in search of corrosion. Atmospheric and environmental conditions can affect the longevity of New Castle Steel. Densities of airborne pollutants in certain atmospheres require maintenance and inspection schedule adjustments. You should conduct first maintenance within six (6) years after installation for a residential application and four (4) years after installation for a commercial application. If corrosion is identified, immediately begin corrosion management practices.
- 3. Inspection Schedule:** After first maintenance, New Castle Steel components must be inspected for structural integrity every two (2) to five (5) years for a residential application and every two (2) years for a commercial application. Integrity is inspected by tapping along the surface area of the components with a metal tool such as a screwdriver. If flaking of the exterior coat occurs or sound discrepancies are heard, immediately begin corrosion management practices.
- 4. Corrosion Management:** Sand any affected areas to twice the size of the corroded area with 80-grit sandpaper. Reapply New Castle Steel-approved touch-up paint to the sanded area.

This warranty shall only be applicable and enforceable in the United States of America, Canada, and Mexico.

Copyright © 2024 New Castle Steel Inc.

DON'T SETTLE FOR A SUBSTANDARD SUBSTRUCTURE

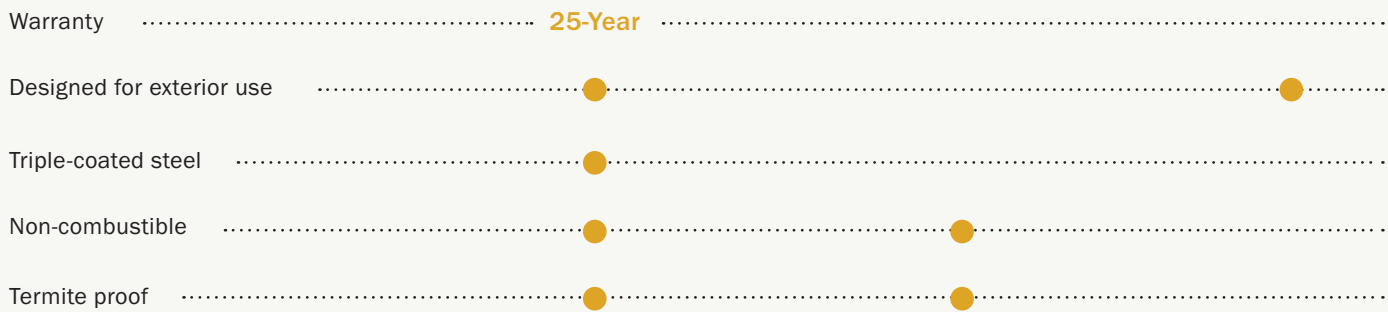
When planning any outdoor structure, it's important to ensure that its substructure can guarantee safety and continued beauty through decades of outdoor conditions. Where other deck framing systems may seem sturdy and supportive, only New Castle Steel can stand the test of time without shifting, splitting, warping, rotting or rusting. Review the following comparisons and see how New Castle Steel rises above the competition.



Interior-Grade Steel Framing

Pressure-Treated Lumber Framing

Durability



Value



Aesthetics



Due to increased risk of corrosion, New Castle Steel may not be installed (1) within 3,000 ft. (914.4 m) of any body of salt water or (2) under the surface or within the splash zone of any body of fresh water. Any such installations shall void the New Castle Steel Limited Warranty.



NEW CASTLE STEEL®

Visit NewCastleSteel.com or call 1-888-960-0808

